

2DIN CD RECEIVER

DPX304/308U/404U

DPX-MP3120/U5120/U5120S

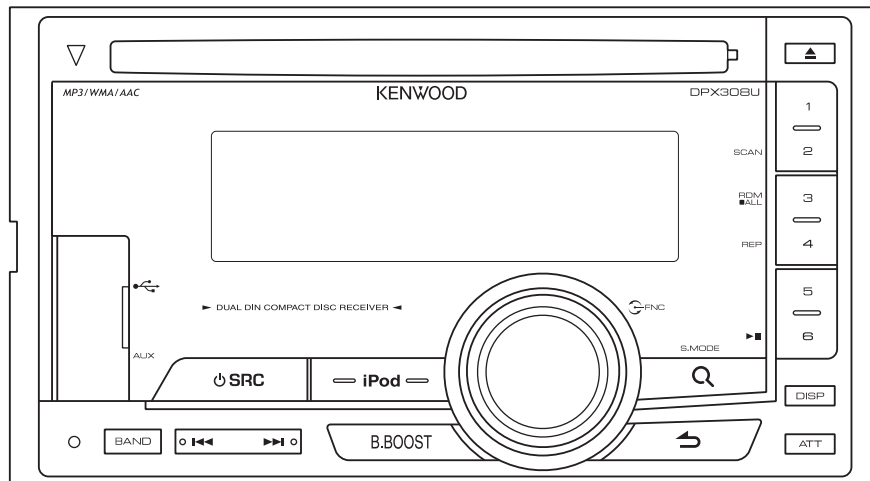
SERVICE MANUAL

KENWOOD

Kenwood Corporation

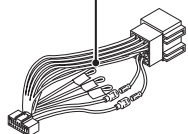
© 2011-5 PRINTED IN JAPAN
B53-0860-00 (N) 303

Illustrations is DPX308U



**DPX304
DPX404U**

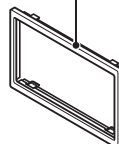
DC cord
(E30-6940-05)



Compact disc (Manual)
(W01-1794-05)

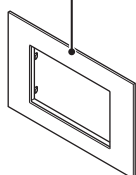


Escutcheon
(B07-3165-02)



DPX308U

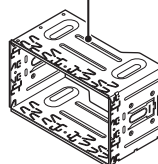
Escutcheon
(B07-3172-12)



Adhesive double-coated tape
(H30-0595-04)



Mounting hardware assy
(J22-0429-13)

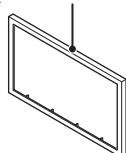


Lever
(D10-7012-04) x2

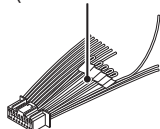


**DPX-MP3120
DPX-U5120
DPX-U5120S**

Escutcheon
(B07-3025-02)



DC cord
(E30-6939-05)

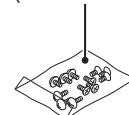


Remote controller assy
(A70-2104-05)



RC-405

Screw set
(N99-1779-15)



Installation caution

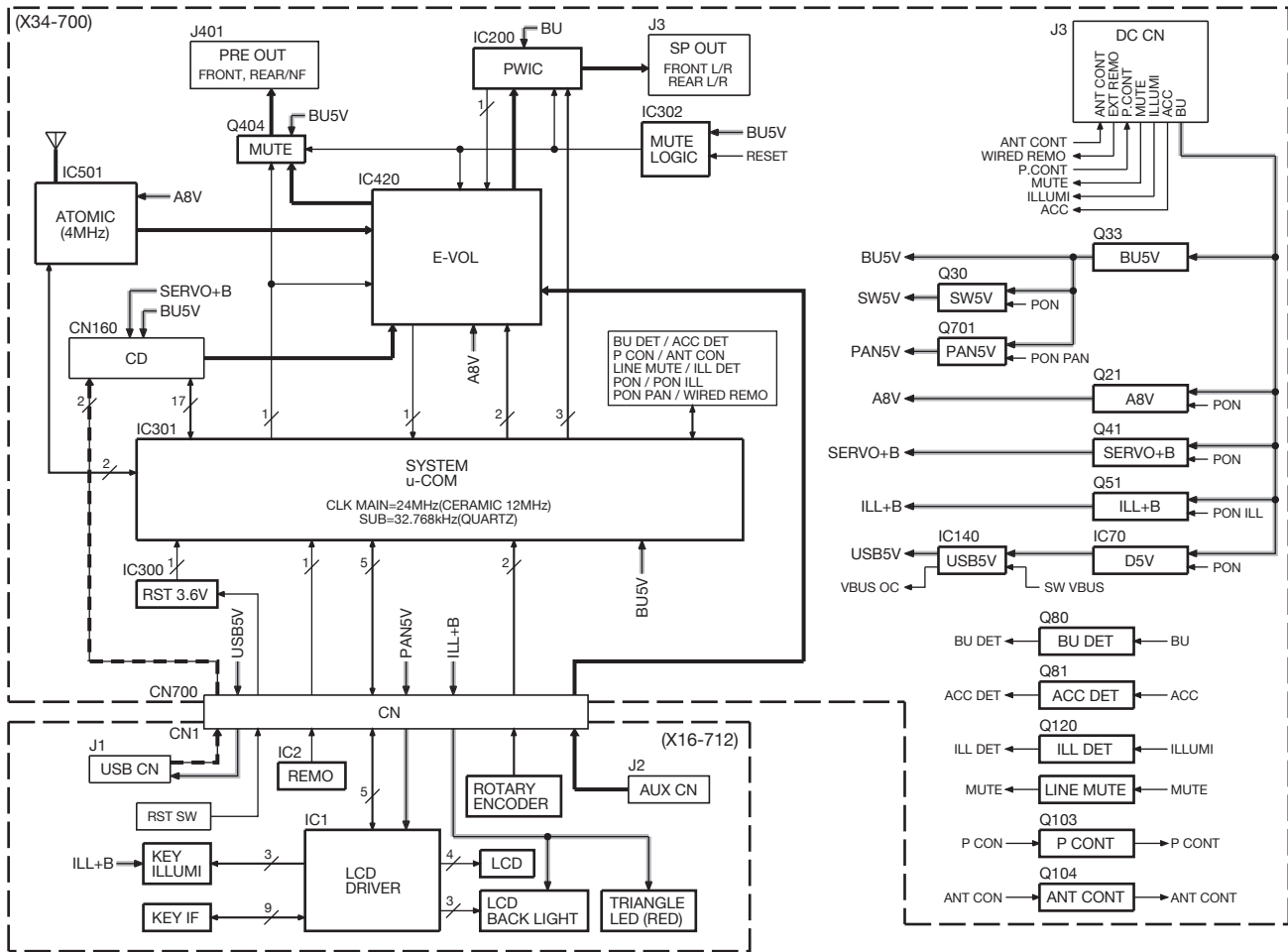
X34- R44 (RS14KB3DR22J)



This product uses Lead Free solder.

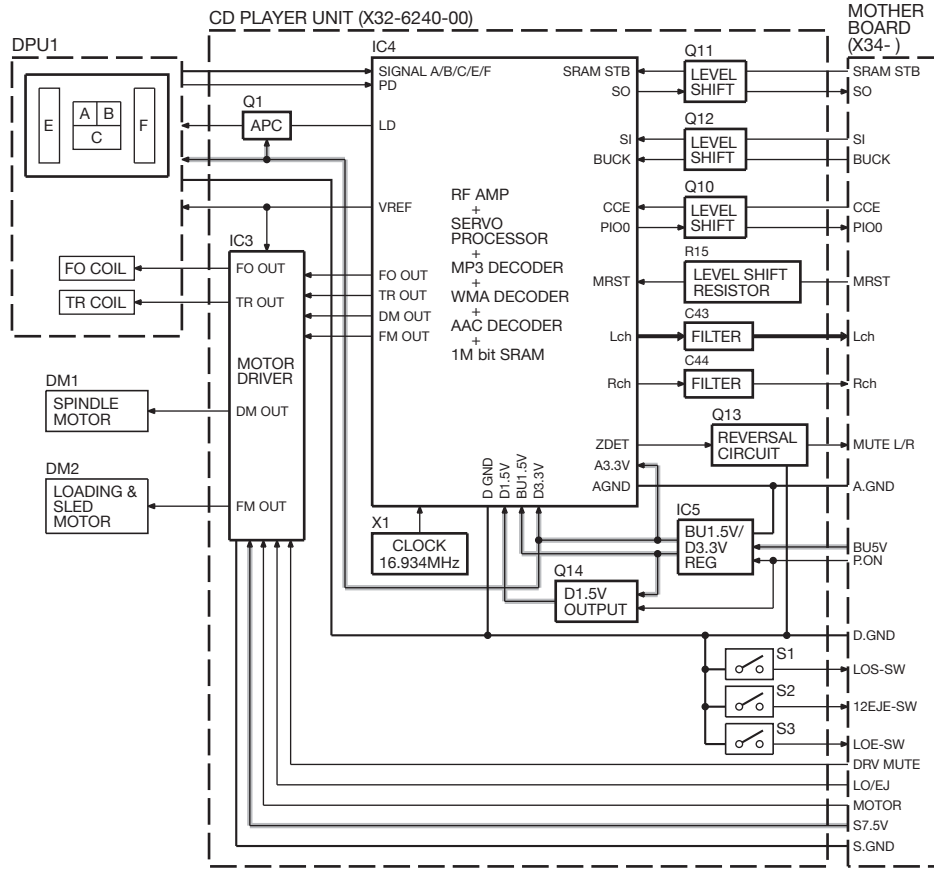
This product complies with the **RoHS** directive for the European market.

BLOCK DIAGRAM

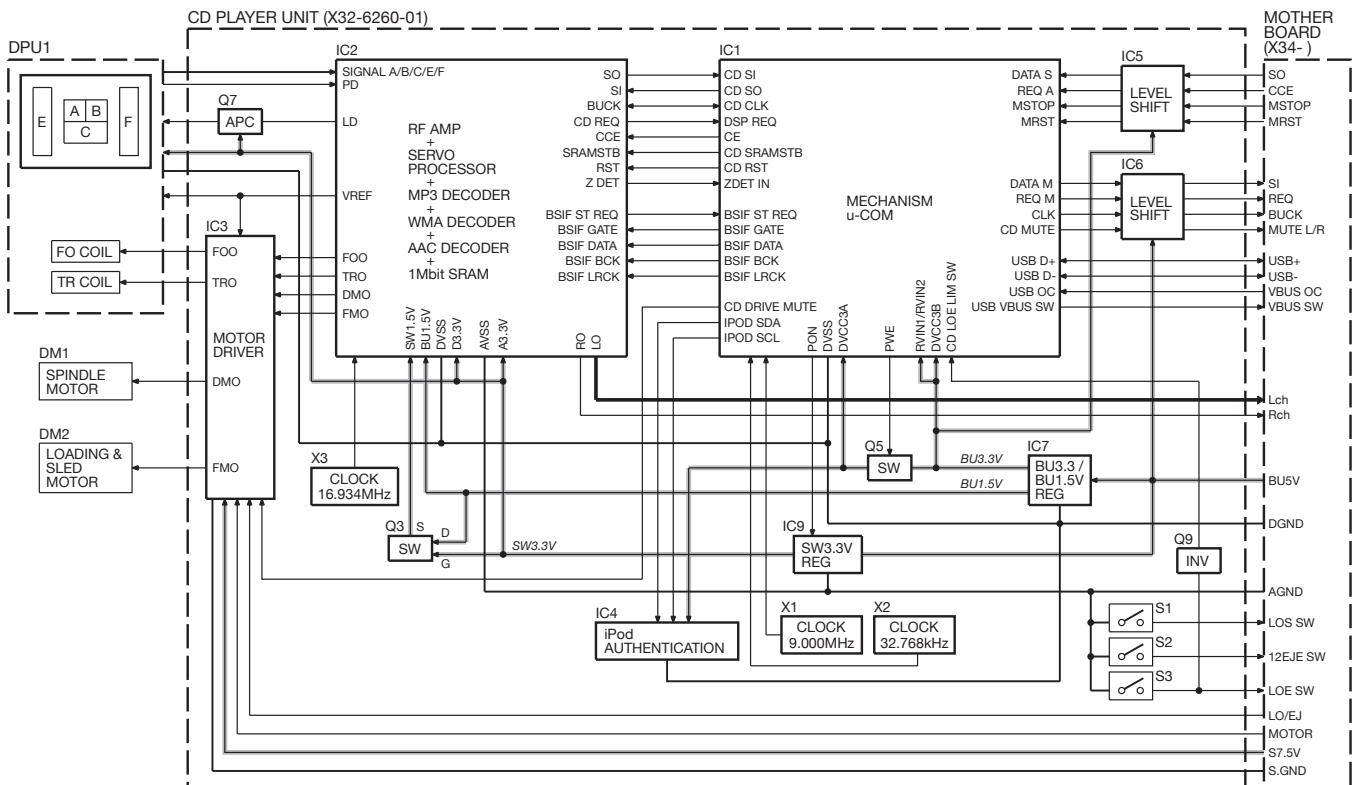


BLOCK DIAGRAM

DPX304, DPX-MP3120



DPX308U/DPX404U, DPX-U5120/U5120S



COMPONENTS DESCRIPTION

● SWITCH UNIT (X16-7120-2x)

Ref. No.	Application / Function	Operation / Condition / Compatibility
IC1	LCD Driver	ED1 Drive.
IC2	Remote Control Receiver	
Q1	LED Driver	KEY Illumination Driver (Blue)
Q2	LED Driver	KEY Illumination Driver (Green)
Q3	LED Driver	KEY Illumination Driver (Red)
Q4	LED Driver	KEY Illumination Driver (Blue)
Q5	LED Driver	KEY Illumination Driver (Green)
Q6	LED Driver	KEY Illumination Driver (Red)
Q7	LED Driver	LCD Back light Illumination Driver (Blue)
Q8	LED Driver	LCD Back light Illumination Driver (Red)
Q9	LED Driver	LCD Back light Illumination Driver (Green)
Q10	KEY Input timing switch	

● ELECTRIC UNIT (X34-700x-xx)

Ref. No.	Application / Function	Operation / Condition / Compatibility
IC70	USB5V & REMO IC Power Supply	Switching Regulator.
IC140	Power Control Switch	USB5V power control switch with over current detection and protection.
IC200	Power IC	Amplifies front L/R and rear L/R to 45W maximum.
IC300	System μ -com Reset Control	Output "L" (System μ -com Reset), when detection voltage goes below 3.6V or less.
IC301	System μ -com	System control. Power management. Panel, AM/FM, External etc.
IC302	MUTE Logic	Controls logic for muting.
IC420	Source Selector & Electrical Volume	Select source & Full source volume. Speaker out "DC-Offset" detection and protection. (This function consists of IC200 and IC420.)
IC501	Advanced tuner on main-board IC	The TEF6614TV1S4-X/TEF6614TV1S3-X is an AM/FM radio including Phase-Locked Loop (PLL) tuning system. It includes a newly developed demodulator for data reception of RDS and RBDS transmissions.
Q21~26	Audio 8V AVR	System power on time output 8V.
Q30,31	Switch 5V	Active time is Power ON.
Q32,33	Backup5V AVR	Always output 5V.
Q40,41	Servo AVR	CD Servo
Q42,44~47	Over current detection	Over current detection
Q50~53	ILL+B AVR	Active time is Power ON.
Q80	Backup detect switch	Check of Backup voltage. It is on if good.
Q81	ACC detect switch	Check of ACC voltage. It is on if good.
Q82	Surge detect switch	Check of over input voltage. Detects it in on.
Q100~103	Power control switch	Active time is Power ON.
Q104,105	Power antenna switch	Active time is AM/FM source.
Q120	Small lamp detect switch	Check of small lamp. Detects it in on.
Q400	Preout mute switch	SW/REAR Lch
Q401	Preout mute switch	SW/REAR Rch
Q402	Preout mute switch	FRONT Lch
Q403	Preout mute switch	FRONT Rch
Q404	Preout mute Driver	When this Tr does on, it is mute.
Q700,701	Panel 5V AVR	Active time is Power ON.

COMPONENTS DESCRIPTION

● CD PLAYER UNIT (X32-6240-00): DPX304, DPX-MP3120

Ref. No.	Application / Function	Operation / Condition / Compatibility
IC3	4ch BTL Driver	Driver for focusing & tracking coil, driver for sled & spindle motor, and operation for disc loading & ejection.
IC4	Servo DSP with built-in Audio DAC	With built-in MP3/WMA/ACC decoder and 1M-bit-SRAM.
IC5	BU1.5V/D3.3V REG.	Power supply for BU1.5V. Power supply for digital/analogue/audio 3.3V.
Q1	APC (Auto Power Control)	Drives LD (Laser Diode).
Q10~12	5V-3.3V Level Shift	Converts signal from 5V to 3.3V, or from 3.3V to 5V.
Q13	Inverter	Inverts ZDET (Zero data DETection) signal.
Q14	D1.5V Output	Switches ON/OFF at one end of BU1.5V line which is separated into 2 directions. Uses output voltage as D1.5V.
D1	Level Down	Lowers signal level by about 1.2V so that Lo level signal that turns the regulator ON/OFF surely becomes Lo judgment level of the regulator SW.
D2	Laser Diode Protection	Prevents reverse bias which is applied to laser. Laser destruction prevention.
D3,4	Static Electricity Countermeasure	Prevents malfunction by static electricity.

● CD PLAYER UNIT (X32-6260-01): DPX308U/DPX404U, DPX-U5120/U5120S

Ref. No.	Application / Function	Operation / Condition / Compatibility
IC1	Mechanism μ -com	Controls DSP and peripheral circuit. USB host controller. (Compliant with Universal Serial Bus Specification Rev2.0)
IC2	Servo DSP with Built-in Audio DAC	Built-in MP3-WMA-AAC decoder. Built-in 1M-bit-SRAM.
IC3	4ch BTL Driver	Driver for focusing & tracking coil, driver for sled & spindle motor, and operation for disc loading & ejection.
IC4	iPod Authentication	Connection authentication for iPod. MFI341S2162: iPhone-compliant.
IC5	3.3V→5.0V Level Shift	Converts communication signal from 3.3V to 5.0V.
IC6	5.0V→3.3V Level Shift	Converts communication signal from 5.0V to 3.3V.
IC7	BU1.5V/ BU3.3V Regulator	Power supply for digital back-up. Power supply for mechanism μ -com.
IC9	A3.3V Regulator	Power supply for digital, analog and audio line.
Q3	D1.5V Output	The output voltage in which the power supply that diverges from the BU1.5V line is turned on and off is used as D1.5V.
Q5	B.3.3V Output	The output voltage in which the power supply that diverges from the BU3.3V line is turned on and off is used as D3.3V.
Q6	Control signal Inverter	Controls Q5.
Q7	APC (Auto Power Control)	Laser diode driver.
Q9	Control signal Inverter	Because the detection logic of LOE/LIM_SW is different in the mechanism μ -com and the system μ -com, the logic to the mechanism μ -com side is reversed.
D1	Laser Diode Protection	Prevents reverse bias which is applied to laser. Laser destruction prevention.
D2,3	Countermeasure against Static Electricity	The potential difference between DGND and AGND is absorbed, and the malfunction by static electricity is prevented.

MICROCOMPUTER'S TERMINAL DESCRIPTION

● SYSTEM μ -COM R5F3650KDFB (X34-700: IC301)

Pin No.	Pin Name	I/O	Application	Truth Value Table	Processing Operation Description
1	REMO	I	Remote controller input (INFRARED, WIRED)		Pulse width detection
2-5	NC	O	Not used		Output L fixed
6	BYTE	-			
7	CNVSS	-	Software writing-in mode control	③	
8	XCIN	-	Sub-clock OSC_in		32.768kHz
9	XCOUT	-	Sub-clock OSC_out		32.768kHz
10	RESET	-			
11	XOUT	-	Main-clock OSC_out		12MHz
12	VSS	-			
13	XIN	-	Main-clock OSC_in		12MHz
14	VCC1	-			
15	NC (NMI)	O	Output L fixed		
16	ROTARY_CCW	I	VOL encoder input		Pulse width detection
17	ROTARY_CW	I	VOL encoder input		Pulse width detection
18	NC	O	Not used		Output L fixed
19	LCD_RESET	O	LCD_RESET		H: Normal, L: RST
20	LED_LCD_BLUE	O	Vari_Blue_LCD_PWM output		H: ON, L: OFF, PWM frequency: 23kHz
21	NC	O	Not used		Output L fixed
22	LED_LCD_GREEN	O	Vari_Green_LCD_PWM output		H: ON, L: OFF, PWM frequency: 23kHz
23	NC	O	Not used		Output L fixed
24	LED_LCD_RED	O	Vari_Red_LCD_PWM output		H: ON, L: OFF, PWM frequency: 23kHz
25	LCD_CE	I/O	LCD control request		H: Data transmission enabled
26	PWIC_BEEP	O	BEEP output terminal		2kHz/1kHz
27	TUN_SCL	I/O	TUNER_I2C clock I/O terminal		200kHz (Limitation of ATOMIC)
27	FLASH_SCL	I/O	For Serial No/ ROM correction I2C clock		
28	TUN_SDA	I/O	TUNER_I2C data I/O terminal		200kHz (Limitation of ATOMIC)
28	FLASH_SDA	I/O	For Serial No/ ROM correction I2C data		
29	NC	O	Not used		Output L fixed
29	TXD1	O	Data for system μ -com \rightarrow writer		
30	NC	O	Not used		Output L fixed
30	RXD1	I	Data for writer \rightarrow system μ -com		
31	NC	O	Not used		Output L fixed
31	CLK1	I	Clock for writer \rightarrow system μ -com		
32	NC	O	Not used		Output L fixed
32	BUSY	O	BUSY for system μ -com \rightarrow writer		
33	LCD_SYS_DATA	O	Data for system μ -com \rightarrow LCD		LCD data output
34	LCD_PAN_DATA	I	Data for LCD \rightarrow system μ -com		LCD data input
35	LCD_CLK	O	LCD_CLK output		LCD clock output (125kHz) (Maximum: 1.5625MHz)
36	CD_DISC12_SW	I	CD disc detection terminal (12cm)		L: 12cm disc
36	CD_DISK12_SW	I	CD disc detection terminal (12cm)		
37	CD_LOE_LIM_SW	I	CD detection terminal (Chucking detection)		H: Loading completed, L: No disc
37	CD_LOELIM_SW	I	CD detection terminal (Chucking SW)		H: Loading completed, L: No disc
38	M_STOP	O	Mechanism stop terminal		H: Normal, L: Stop SOC

MICROCOMPUTER'S TERMINAL DESCRIPTION

Pin No.	Pin Name	I/O	Application	Truth Value Table	Processing Operation Description
38	NC (9B1)	O	Not used (9B1)		Output L fixed
39	ROMCOR_DET	I	ROM correction writing-in request		H: Can overwrite ROM correction (Switch SDA6 and SCL6 to slave operation)
39	EPM	I	EPM input terminal when writing-in	③	L: Overwriting mode (In overwriting mode, the setting of the other terminals are also necessary)
40	CD_MUTE	I	Mechanism mute request		L: MUTE request, H: In normal operation
40	CD_MUTE	I	CD_MUTE request terminal		L: MUTE request, H: In normal operation
41	CD_CD_REQ	I	Communication request of mechanism → system μ -com		
41	CD_PIO0	I	Communication request terminal from mechanism DSP		H: Data request
42	M_RST	O	Mechanism reset terminal		H: Normal, L: Reset
42	M_RST	O	CD mechanism RST terminal		H: Normal, L: Reset
43	NC (9B3)	O	Not used (9B3)		Output L fixed
43	CD_SRAMSTB	O	1MbitSRAM standby terminal		L: SRAM standby
44	CD_LOS_SW	I	CD loading detection terminal		L: Eject completed
44	CD_LOS_SW	I	CD loading detection terminal		
44	FLASH_CE	I	CE when overwriting software	③	
45	CD_SYS_DATA	O	Data for system μ -com → Bolero		
45	CD_SI	O	CD mechanism serial input		
46	CD_CD_DATA	I	Data for Bolero → system μ -com		
46	CD_SO	I	CD mechanism serial output		
47	CD_CD_CLK	I	CLK from Bolero		
47	CD_CLK	O	Serial clock output		
48	CD_SYS_REQ	O	Communication request for system μ -com → mechanism		
48	CD_CCE	O	CD mechanism chip enable terminal		
49	NC (9B3)	O	Not used (9B3)		Output L fixed
49	PON_CD	O	CD mechanism power control terminal		H: Power ON
50	NC (9B3)	O	Not used (9B3)		Output L fixed
50	CD_DRIVEMUTE	O	Motor driver mute output	②	L: MUTE
51	CD_LOEJ	I/O	CD motor control terminal	②	
51	CD_LOEJ	I/O	CD motor control terminal	②	
52	CD_MOTOR	O	CD motor control terminal	②	H: LO/EJ mode
52	CD_MOTOR	I/O	CD motor control terminal	②	H: LO/EJ mode
53	LED_KEY_GREEN	O	Vari_Green_KEY_PWM output		H: ON, L: OFF, PWM frequency: 100Hz
54	LED_KEY_RED	O	Vari_Red_KEY_PWM output		H: ON, L: OFF, PWM frequency: 100Hz
55	LED_KEY_BLUE	O	Vari_Blue_KEY_PWM output		H: ON, L: OFF, PWM frequency: 100Hz
56~59	NC	O	Not used		Output L fixed
60	VCC2	-			
61	NC	O	Not used		Output L fixed
62	VSS	-			
63	PON_PANEL	I/O	Panel 5V control terminal		H: ON, Hi-Z: In 11 minutes after ACC_OFF
64	PON_ILL	I/O	Panel LED power supply control		H: ON, Hi-Z: OFF
65	PON	I/O	Power supply control terminal		H: ON, Hi-Z: OFF

MICROCOMPUTER'S TERMINAL DESCRIPTION

Pin No.	Pin Name	I/O	Application	Truth Value Table	Processing Operation Description
66	BU_DET	I	BU detection		L: With BU, H: When without BU/ reduced voltage/ over voltage
67	ACC_DET	I	ACC detection		With ACC: L, Without ACC: H
68	LINE_MUTE	I	Line mute detection		1V or less: TEL_MUTE (MUTE), 2.5V or more: NAVI_MUTE (ATT), J-TYPE is 1V or less, NAVI_MUTE is activated in 2.5V or more
69	P_CON	I/O	PCON control terminal		H: POWER_ON, Hi-Z: Power_Off, STBY source
70	ANT_CON	I/O	ANTCON control terminal (Other than E-TYPE)		H: Tuner source, Hi-Z: Other than Tuner
70	NC	O	Not used (E-TYPE)		Output L fixed
71	ILLUMI_DET	I	Dimmer illumi detection		L: ON, H: OFF
72	DC_DET_2	I	PWIC short to VCC/ GND detection terminal		
73	PWIC_MUTE	O	PWIC mute terminal		L: In STANDBY source, During momentary power down, or in TEL_MUTE
74	PWIC_STBY	O	PWIC standby control		H: Power_On, L: Power_Off
75	AUD_SDA	I/O	E-VOL data input terminal		
76	AUD_SCL	I/O	E-VOL clock output terminal		
77	MUTE	O	MUTE terminal		L: MUTE_ON, H: MUTE_OFF
78	NC	O	Not used		Output L fixed
79	DC_DET_1	I	DC offset detection terminal		Threshold value: Determined as DC offset detection when less than 1.0V is observed 20 times for every 100mS
80-88	NC	O	Not used		Output L fixed
89	TYPE_DOP_1	I	DOP destination switch 1	①	
90	NC	O	Not used		
91	NC	O	Not used		Output L fixed
92	TYPE	I	Destination switch	①	
93	NC	O	Not used		Output L fixed
94	AVSS	-			
95	NC	O	Not used		Output L fixed
96	VREF	-			
97	AVCC	-			
98,99	NC	O	Not used		Output L fixed
100	NC (Kenwood brand model)	O	Not used (Kenwood brand model)		Output L fixed
100	STE_REMO	I	Steering remote controller input (DOP)	I	AD

MICROCOMPUTER'S TERMINAL DESCRIPTION

Truth Value Table

① Destination setting

Mid

TYPE1 (92)	Destination	Test mode display
1	DPX-U5120 DPX-U5120S	1023WM
2	DPX-U500	1023WJ
3	(Reserve)	
4	DPX308U	1023WK
5	DPX404U	1023WE

Low

TYPE1 (92)	Destination	Test mode display
1	DPX-MP3120	1024WM
2		
3	(Reserve)	
4		
5	DPX304	1024WE

Common to Mid/ Low

TYPE_DOP_1 (89)	Destination	Test mode display
1	Kenwood brand model	
2	Mitsubishi	
3	Mazda	
4	Honda	
5		

② CD_MOTOR, CD_LOEJ

	CD_MOTOR	CD_LOEJ
Standby	L	L
Eject	H	H
Load	H	L
Brake	H	Hi-z

③ Conditions to overwrite built-in FLASH memory

Signal	Input level
CNVSS	H
EPM	L
RESET	L → H
CE	H
P6_5/CLK1	L

TEST MODE

1. Overview

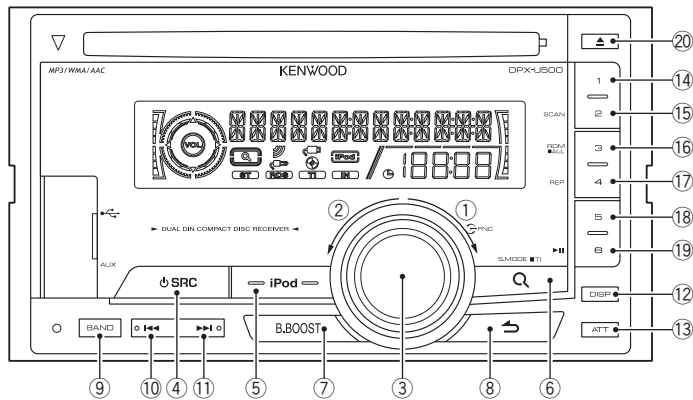
● Target models

	MODEL NAME	DEVELOPMENT CODE	TYPE
Mid	DPX-308U	C-1023WK	K
	DPX-U5120/DPX-U5120S	C-1023WM	M
	DPX-U500	C-1023WJ	J
	DPX-404U	C-1023WE	E
Low	DPX-MP3120	C-1024WM	M
	DPX-U304	C-1024WE	E

● Exterior specification

Exteriors and key assign and names in all the target models, are as shown below.

◇ Exterior



◇ Key assign and names

No.	Key Assign	No.	Key Assign	No.	Key Assign	No.	Key Assign
1	ROTARY UP	6	SEARCH	11	SEEK UP	16	PRESET-3
2	ROTARY DOWN	7	B.BOOST	12	DISP	17	PRESET-4
3	ENTER	8	RETURN	13	ATT	18	PRESET-5
4	SRC	9	BAND	14	PRESET-1	19	PRESET-6
5	iPod/Play Pause	10	SEEK DOWN	15	PRESET-2	20	EJECT

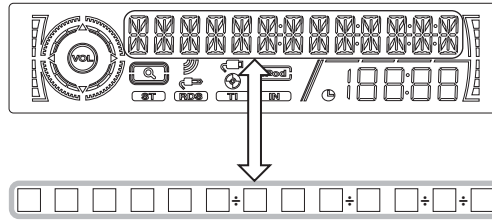
● How to enter the test mode

Processing details	Key operation
Test mode function	[B.BOOST] + [SEARCH] + Reset
Forced Power ON mode function	[ENTER] + [PRESET-4] + Reset
DC error detection information display function	[PRESET-3] + [PRESET-6] + Reset
Frequency span switching function	[PRESET-1] + [PRESET-5] + [SRC] (Power ON)
Security code forced deletion function	Press and hold [BAND] + [SEEK UP]
Forced frequency display switching function	Press and hold [PRESET-1] + [PRESET-6]
ROM correction writing-in function	[PRESET-6] + [SEARCH] + Reset
DOP setting function	[ATT] + [PRESET-6] + Reset

TEST MODE

● Description explanation

Display specification of this document is described by the following forms.



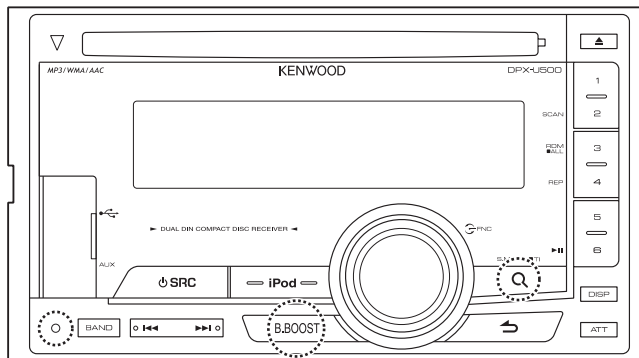
Key	Description of display	Description
5	[] [E] [J] [C] [N] [T]: [] [] [X] [X] [X] [X] [X]	Disc Eject count display (Max. 65535 times).
■5	[] [E] [J] [C] [N] [T]: [] [] [0] [0] [0] [0] [0]	While Disc Eject count is displayed, press and hold for 2 seconds or longer to clear Disc Eject count.

*A symbol “■” in the key column indicates that the key should be pressed and held.

2. Test mode function

● How to transfer to the mode

Perform the reset operation while pressing and holding [B.BOOST] + [SEARCH] to transfer to the test mode.



● How to clear the mode

Clear the test mode with the conditions below.

- Reset
- Momentary power down detection
- ACC OFF operation
- POWER OFF operation

● Limitation/ special remarks in the mode

- When detecting the disconnection of the oscillator for sub-clock, all lights ON display flashes.
- When the unit starts with the test mode, change the LINE MUTE inhibit time from 10 seconds to 1 second.
- In the test mode, do not write serial with the serial write jig.
- In the test mode, the DC error detection information is not written in Data Flash even if the DC error detection is performed.
- DEMO mode shall not operate in the test mode. Also, when the source is STANDBY, do not display DEMO ON/OFF switching items in the FUNCTION.
- DISC forced load operation prohibited in the test mode.

TEST MODE

- In the test mode, even if the prescribed period of time elapses, the backup memory items are not written in save area (Data Flash/ E2PROM).
- In the test mode, the opening display shall be omitted for the easy recognition of the mode transfer.
- In the test mode, the animation after the source switching shall be omitted to reduce waiting time.
 - * The MID/ LOW model shall operate in the same manner as the normal operation because there is no animation display after the source switching.
- In the test mode, DOP setting is unavailable (Except only for DOP TYPE display).
- In the set for E destination, even if security is allowed, Power ON can be maintained only for 30 minutes.

● Initial setting

◇ Differences from normal operation

- All LCDs are ON.
- VOLUME setting value shall be 30.
- KEY ON BEEP setting shall be ON regardless of destination of the set.
- Base Boost setting shall be OFF.
- Illumi settings shall be R255, G255, B255 (white).

◇ Special notes to be added though the same as normal

- CRSC setting shall be ON. *ON/OFF is not included in this model.
- Initial settings of 1PRE/ 2PRE model shall be REAR.

● Special function with STANDBY source while all the lights are turned on

Special screen displays and key operations in the test mode are described below.

(A symbol “■” in the key column indicates that the key should be press and hold.)

Key	Description of display		Description
	All lights ON	□ □ □ □ □ □ ÷ □ □ □ ÷ □ □ □ ÷ □ □ □ ÷ □ □ □	All lights ON
iPod/ Play Pause	iPod authentication IC installation condition display	i P o d □ □ □ □ □ □ □ □ □ □ : # #	iPod authentication IC installation condition display Pressed when the left is displayed, it will return to the all lights ON display. The display of ## in the left is as follows. Blank: Searching and deciding the present status. OK: Authentication IC has been installed NG: This is the iPod compatible model, but the authentication IC is not yet installed *: This is not the iPod compatible model
SEARCH	DISP & ILLUMI color switching		Switches DISP & ILLUMI color (forward rotation). White (R255/G255/B255) → Red (R255/G0/B0) → Green (R0/G255/B0) → Blue (R0/G0/B255) → White...
■ B.BOOST	Preout setting switching	S W P R E □ □ □ # # # # #	While pressing and holding this key for 1 second, toggle the preout setting. (1Preout/ 2Preout model only) The display of ## in the left is as follows. REAR: REAR setting SUB-W: SUB WOOFER setting
RETURN (Toggle)	All lights ON/ All lights OFF	□ □ □ □ □ □ ÷ □ □ □ ÷ □ □ □ ÷ □ □ □ ÷ □ □ □ ÷ □ □ □ ÷ □ □ □ ÷ □ □ □ ÷ □ □ □	Toggles between all lights ON and all lights OFF. However, when [RETURN] is pressed briefly, all lights ON shall be applied.
BAND	Serial No. display	□ S N □ □ # # # # # # # #	Serial No. display (8 digits) The display of ## in the left is as follows. In writing-in: Serial No. (8 digits) Not in written-in: Displays “EEEEEEEE”.

TEST MODE

Key	Description of display		Description
⏪	Forced Power OFF information display	P O F F □ # # # □ □ □ □ □	Forced Power OFF information display The display of ## in the left is as follows. No forced POWER OFF: --- Communication error between system μ-com and panel: PNL
■ ⏪	Forced Power OFF information initialization		In the forced Power OFF information display, press and hold this key for 2 seconds to clear Power OFF information.
⏩	Audio data initialization	A U D I O □ I N I T □ □ □	AUDIO setting values are reset to the default values in the test mode.
DISP	CD information display mode ON		Transfer to the CD information display mode (sub-mode). *For the details of display and operation procedure, refer to the “CD information display mode”.
■ ENTER	All of the CD information initialization		Press and hold this key for 2 seconds in respective service information displays to clear all of the CD information.
1 (forward rotation)	System μ-com version display	□ □ □ □ S Y S 0 1 - 3 . 0 0	System μ-com version display MID: SYS03-x.xx LOW: SYS04-x.xx
	DOP information display	□ D O P □ □ : 0 0 0 1 □ □ □	DOP information display *Displays DOP type in 4 digits. *Displays “----” for Kenwood brand model. (Pressing [PRESET-1] key briefly again, MID model transfers to the mechanism model name and mechanism version display, and LOW model transfers to the all lights ON display)
	Mechanism model name Mechanism version display	□ 9 B 2 0 □ : □ □ □ □ □ □ □	Mechanism model name and mechanism version display *Displayed only in MID model. (Pressing [PRESET-1] key briefly again, it transfers to the all lights ON display)
■ 1	Version display mode ON		Press and hold this key for 1 second to display the version. *For the details of display and operation procedure, refer to the “Version information display mode”.
2	ROM correction version display	System μ-com Mechanism μ-com S R 0 0 0 1 □ M R 0 0 0 1	The number indicates ROM correction number. * In LOW model, there is no mechanism μ-com ROM correction version display
		System μ-com Mechanism μ-com S R - - - - □ M R - - - -	When not written-in
		System μ-com Mechanism μ-com S R * * * * □ M R * * * *	When the data is incompatible *Different version
3	Power ON time display	□ P O N T M : □ □ 0 H X X □	Displays 00~50 in “XX”. Displays it for less than 1 hour in the unit of 10 minutes.
		□ P O N T M : □ □ X X X X X	Displays 00001~10922 in “XXXXX”. MAX 10922 (hour)
■ 3	Power ON time information initialization	□ P O N T M : □ □ 0 H 0 0 □	Press and hold this key for 2 seconds in the Power ON time display, to clear Power ON time

TEST MODE

Key	Description of display	Description
4	Disc operation time display <input type="checkbox"/> C <input type="checkbox"/> D <input type="checkbox"/> T <input type="checkbox"/> M <input type="checkbox"/> : <input type="checkbox"/> <input type="checkbox"/> <input type="checkbox"/> 0 <input type="checkbox"/> H <input type="checkbox"/> X <input type="checkbox"/> X <input type="checkbox"/>	Displays 00~50 in "XX". Displays it for less than 1 hour in the unit of 10 minutes.
	<input type="checkbox"/> C <input type="checkbox"/> D <input type="checkbox"/> T <input type="checkbox"/> M <input type="checkbox"/> : <input type="checkbox"/> <input type="checkbox"/> X <input type="checkbox"/> X <input type="checkbox"/> X <input type="checkbox"/> X <input type="checkbox"/>	Displays 00001~10922 in "XXXXX". MAX 10922 (hour)
■4	Disc operation time information initialization <input type="checkbox"/> C <input type="checkbox"/> D <input type="checkbox"/> T <input type="checkbox"/> M <input type="checkbox"/> : <input type="checkbox"/> <input type="checkbox"/> 0 <input type="checkbox"/> H <input type="checkbox"/> 0 <input type="checkbox"/> 0 <input type="checkbox"/>	Press and hold this key for 2 seconds in the Disc operation time display, to clear the Disc operation time (Cleared only for the media in display)
5	Disc EJECT count display <input type="checkbox"/> E <input type="checkbox"/> J <input type="checkbox"/> C <input type="checkbox"/> N <input type="checkbox"/> T : <input type="checkbox"/> <input type="checkbox"/> X <input type="checkbox"/> X <input type="checkbox"/> X <input type="checkbox"/> X <input type="checkbox"/>	Disc EJECT count display. MAX 65535 (times)
■5	Disc EJECT count information initialization <input type="checkbox"/> E <input type="checkbox"/> J <input type="checkbox"/> C <input type="checkbox"/> N <input type="checkbox"/> T : <input type="checkbox"/> <input type="checkbox"/> 0 <input type="checkbox"/> 0 <input type="checkbox"/> 0 <input type="checkbox"/> 0 <input type="checkbox"/>	Press and hold this key for 2 seconds in the Disc Eject count display, to clear Disc Eject count
6	Data flash writing-in count display <input type="checkbox"/> D <input type="checkbox"/> F <input type="checkbox"/> C <input type="checkbox"/> N <input type="checkbox"/> T : <input type="checkbox"/> <input type="checkbox"/> X <input type="checkbox"/> X <input type="checkbox"/> X <input type="checkbox"/> X <input type="checkbox"/>	Data flash writing-in count display MAX 10000 (times)

◇ CD information display mode (sub-mode)

Key	Description of display	Description	
DISP (forward rotation)	CD mechanism error log display	M E C H A <input type="checkbox"/> E R 1 <input type="checkbox"/> <input type="checkbox"/> : X X	Mecha error history 1 (latest) XX: numbers of errors, "--" when there is none
		M E C H A <input type="checkbox"/> E R 2 <input type="checkbox"/> <input type="checkbox"/> : X X	Mecha error history 2 (latest) XX: numbers of errors, "--" when there is none
		M E C H A <input type="checkbox"/> E R 3 <input type="checkbox"/> <input type="checkbox"/> : X X	Mecha error history 3 (latest) XX: numbers of errors, "--" when there is none
	CD load error information display	L O A D <input type="checkbox"/> <input type="checkbox"/> E R 1 <input type="checkbox"/> <input type="checkbox"/> : X X	Load error switch 1 XX: numbers of errors, "--" when there is none
		L O A D <input type="checkbox"/> <input type="checkbox"/> E R 2 <input type="checkbox"/> <input type="checkbox"/> : X X	Load error switch 2 XX: numbers of errors, "--" when there is none
	CD Eject error information display	E J E C T <input type="checkbox"/> <input type="checkbox"/> E R 1 <input type="checkbox"/> <input type="checkbox"/> : X X	Eject error switch 1 XX: numbers of errors, "--" when there is none
		E J E C T <input type="checkbox"/> <input type="checkbox"/> E R 2 <input type="checkbox"/> <input type="checkbox"/> : X X	Eject error switch 2 XX: numbers of errors, "--" when there is none
		E J E C T <input type="checkbox"/> <input type="checkbox"/> E R 3 <input type="checkbox"/> <input type="checkbox"/> : X X	Eject error switch 3 XX: numbers of errors, "--" when there is none
		E J E C T <input type="checkbox"/> <input type="checkbox"/> E R 4 <input type="checkbox"/> <input type="checkbox"/> : X X	Eject error switch 4 XX: numbers of errors, "--" when there is none
	CD time code error count information display (count skip)	C N T <input type="checkbox"/> L O S E <input type="checkbox"/> <input type="checkbox"/> <input type="checkbox"/> <input type="checkbox"/>	CD time code error count information (count skip) mode display
		C D D A <input type="checkbox"/> <input type="checkbox"/> <input type="checkbox"/> <input type="checkbox"/> <input type="checkbox"/> <input type="checkbox"/> : X X	CD-DA error count numbers XX: numbers of errors and "--" when there is none
		C D R O M <input type="checkbox"/> <input type="checkbox"/> <input type="checkbox"/> <input type="checkbox"/> <input type="checkbox"/> <input type="checkbox"/> : X X	CD-ROM (compressed file) error count numbers XX: numbers of errors and "--" when there is none
CD time code error count information display (no count update)	C N T <input type="checkbox"/> S T A Y <input type="checkbox"/> <input type="checkbox"/> <input type="checkbox"/> <input type="checkbox"/>	CD time code error count information (count not updated) mode display	
	C D D A <input type="checkbox"/> <input type="checkbox"/> <input type="checkbox"/> <input type="checkbox"/> <input type="checkbox"/> <input type="checkbox"/> : X X	CD-DA error count numbers XX: numbers of errors and "--" when there is none	
	C D R O M <input type="checkbox"/> <input type="checkbox"/> <input type="checkbox"/> <input type="checkbox"/> <input type="checkbox"/> <input type="checkbox"/> : X X	CD-ROM (compressed file) error count numbers XX: numbers of errors and "--" when there is none	

TEST MODE

Key	Description of display		Description
ROTARY UP	CD information display switching (forward rotation)		In CD information display mode, perform the display switch of displayed information (forward rotation). (Ex.) CD eject error information display Eject error 1 → Eject error 2 → Eject error 3 → Eject error 4 → (to Eject error 1).
ROTARY DOWN	CD information display switching (reverse rotation)		In CD information display mode, perform the display switch of displayed information (reverse rotation). (Ex.) CD eject error information display Eject error 1 → Eject error 4 → Eject error 3 → Eject error 2 → (to Eject error 1).
RETURN	All lights ON	□ □ □ □ □ ÷ □ □ □ ÷ □ □ □ ÷ □	Transfer to the all lights ON display mode.

◇ Version information display mode (sub-mode)

Key	Description of display		Description
BAND (forward rotation)	Destination terminal status display	T Y P E □ □ □ □ □ □ □ □ □ □ □ #	TYPE shows the destination of μ-com and displays the status of destination terminal in real time.
	Development code status display	X X X X W Y □ □ □ □ - Z . Z Z	XXXX: Development name *Mid: 1023, Low: 1024 Y: Destination *Mid: M/J/E/K, Low: M/E Z.ZZ: Version (μ-com)
■ 1	All lights ON	□ □ □ □ □ □ ÷ □ □ □ ÷ □ □ □ ÷ □	Press and hold this key for 1 second to reset the mode and transfer to the all lights ON display mode.
RETURN	All lights ON	□ □ □ □ □ □ ÷ □ □ □ ÷ □ □ □ ÷ □	Press this key briefly to reset the mode and transfer to the all lights ON display mode.

* Basically, the operation in all lights ON display mode shall be effective, and then this mode is reset automatically.

● TUNER source test mode

◇ TUNER special display mode

Key	Description of display		Description
F/E error display		T U N □ C O N □ N G □ □ □	[TUNER IC communication error] This display indicates the status in which the communication with TUNER IC is not possible.
		* E R R * □ □ A □ 9 8 . 3 A	[Adjustment not yet made] When the TUNER adjustment has never been made (Adjustment value: 0x00 or 0xFF) “*ERR*” display shall be the blinking display. And it continues in normal mode.
Normal display (RDS automatic measurement function)		R D S □ T E S T □ □ □ □ □	[Display in RDS automatic measurement] To reduce the process of the visual inspection of the PS display that has been executed up to now in the production line, a function concerned is installed as an alternate. Turn off the P-CON terminal forcibly after receiving PS data to display “RDS_TEST” in the PS. (“_” indicates blank.) * While a function concerned is dedicated to the test mode process, P-CON shall be resumed by Power OFF → ON.

TEST MODE

Key	Description of display		Description
■ DISP	Mode transfer		Press and hold for 1 second to enter the TUNER setting adjustment mode (AUTO). When the source is FM, frequency is switched to 98.3MHz (M/E/K), 83.0kHz (J) at the start of the adjustment mode.
BAND	Band switching		Every time when the [BAND] key is pressed, the BAND is switched as shown below. M/K: FM1 ↔ AM, E: FM1 ↔ MW/LW, J: FM1 ↔ AM1 * When switching the band in FM → AM, switched to the center frequency. * M/J/E type → 999kHz, K type → 1000kHz
RETURN	Mode transfer		Only in FM band, transfers to the S-meter voltage pass and fail evaluation mode.

◇ TUNER setting adjustment mode

Adjust TUNER setting. Only during the TUNER setting adjustment mode, Volume operation by turning the Rotary is prohibited. After the TUNER setting adjustment, the entire test modes can be cleared with the reset button.

If you do not save the adjustment value after the adjustment, the value is not saved in the Data Flash.

When the level offset value is read out and found to be 0x00 or 0xFF, it is decided that the adjustment is not yet made.

The adjustment starts with the default value (0x3E) when the adjustment is started from the status in which it is not yet made.

① TUNER setting adjustment mode (AUTO)

Key	Description of display		Description
	Normal display	A □ S - x x □ L - x x □ □	[Level Offset adjustment (Auto)] S-xx: Current S-meter value (Hex) L-xx: Level offset value (Hex) * When the level offset value is not adjusted (0xFF or 0x00), "--" is displayed.
ENTER	In automatic adjustment	A □ S - x x □ L - x x □ □	Press this key briefly to start the automatic adjustment.
	Automatic adjustment complete Save the adjustment value	A D J □ O K □ □ □ □ □ : X X Level offset value	When written to data flash after automatic adjustment is completed, level offset value (Hex) of the adjustment result is displayed.
	Automatic adjustment failure Failure value (0xFF) Memory	A D J □ N G □ □ □ □ □ □ □ □	Display shown when the automatic adjustment failed. (Write 0xFF to data flash. After re-entering adjustment mode by this, start with "--".)
DISP	Adjustment mode switching		Press the key briefly to enter the TUNER setting adjustment mode (MANUAL).
ATT	Adjustment mode switching		Press the key briefly to enter the TUNER setting adjustment mode (MANUAL).
RETURN	Mode clear		Clear the adjustment mode to transfer to the TUNER special display mode.

TEST MODE

● Test mode specification with CD source

◇ Operation for CD-DA media (KTD-02A)

Key	Description of display		Description
	Normal display	<input type="checkbox"/> <input type="checkbox"/> <input type="checkbox"/> <input type="checkbox"/> <input type="checkbox"/> <input type="checkbox"/> <input type="checkbox"/> <input type="checkbox"/> <input type="checkbox"/> <input type="checkbox"/> <input type="checkbox"/> <input type="checkbox"/> <input type="checkbox"/> <input type="checkbox"/>	P-TIME display (default)
▶▶	Truck-up operation		<p>[▶▶] key operation enables the truck jumps in the following sequence. No.9 → No.15 → No.10 → No.11 → No.12 → No.13 → No.22 → No.14 → No.9 (Return back to top)</p> <p>* However in the case of CD-DA disc that has 8 or less tracks of recorded music, and MP3/ WMA/ AAC discs, they are played back in order starting with Track1.</p> <p>* When displaying CD mechanism name and the version information, returns to normal display.</p>
◀◀	Truck-down operation		<p>Tracks down by 1 from the track currently being played back.</p> <p>* When displaying CD mechanism name and the version information, returns to normal display.</p>
1	Jump operation		<p>Jump to No.28 (For MUSIC line vibration test, Scratch 0.7mm)</p> <p>* When displaying CD mechanism name and the version information, returns to normal display.</p>
2	Jump operation		<p>Jump to the track No.14 (Blurring surface disc TCD-731RA Tr14)</p> <p>* When displaying CD mechanism name and the version information, returns to normal display.</p>
3 (forward rotation)	Mechanism model name Mechanism version display	<input type="checkbox"/> 9 <input type="checkbox"/> B <input type="checkbox"/> # <input type="checkbox"/> 0 <input type="checkbox"/> : <input type="checkbox"/> <input type="checkbox"/> <input type="checkbox"/> <input type="checkbox"/> <input type="checkbox"/> <input type="checkbox"/> <input type="checkbox"/> <input type="checkbox"/> <input type="checkbox"/>	Mechanism model name (MID model: "9B30"/ LOW model: "9B10") and mechanism version display
	Mechanism servo version display	<input type="checkbox"/> S <input type="checkbox"/> E <input type="checkbox"/> R <input type="checkbox"/> V <input type="checkbox"/> O : <input type="checkbox"/> <input type="checkbox"/> <input type="checkbox"/> <input type="checkbox"/> <input type="checkbox"/> <input type="checkbox"/> <input type="checkbox"/> <input type="checkbox"/>	Mechanism servo table version display (Displayed only in MID model)
	Mechanism boot program version display	<input type="checkbox"/> B <input type="checkbox"/> O <input type="checkbox"/> O <input type="checkbox"/> T <input type="checkbox"/> : <input type="checkbox"/> <input type="checkbox"/> <input type="checkbox"/> <input type="checkbox"/> <input type="checkbox"/> <input type="checkbox"/> <input type="checkbox"/> <input type="checkbox"/>	Mechanism boot program version display (Displayed only in MID model)
5	Jump operation		<p>* Toggling action with the track jump of No.9 ↔ No.22</p> <p>* When displaying CD mechanism name and the version information, returns to normal display.</p>
6	Jump operation		<p>Jump to the track No.15. Set volume to 26 (20Hz 0dB DC protection malfunction FCT check)</p> <p>* Set VOL setting value based on 13.2V supplied by Regulated Power Supply.</p> <p>* When displaying CD mechanism name and the version information, returns to normal display.</p>
RETURN	Mode clear		In the display of mechanism system information, return to normal display.

TEST MODE

◆ Procedure in compressed media

Key	Description of display	Description
	File type display (MP3) [M] [P] [3] [] [] [] [] [] [] [] [] [] []	The file format is displayed just before the file playback.
	File type display (WMA) [W] [M] [A] [] [] [] [] [] [] [] [] [] []	
	File type display (AAC) [A] [A] [C] [] [] [] [] [] [] [] [] [] []	

● Audio adjustment

The operation specification and adjustment items in the test mode are the same as those in the product specification.

* However, the layer position and setting value in respective adjustment items shall be changed as follows.

Press [◀]/[▶] key to adjust Bass-Bass Center Level to 3 steps (-8 ↔ 0 ↔ +8) (Initial value: 0).

Press [◀]/[▶] key to adjust Middle-Middle Center Level to 3 steps (-8 ↔ 0 ↔ +8) (Initial value: 0).

Press [◀]/[▶] key to adjust Treble-Treble Center Level to 3 steps (-8 ↔ 0 ↔ +8) (Initial value: 0).

Press [◀]/[▶] key to adjust Fader to 3 steps (R15 ↔ 0 ↔ F15) (Initial value: 0).

Press [◀]/[▶] key to adjust Balance to 3 steps (L15 ↔ 0 ↔ R15) (Initial value: 0).

Press [◀]/[▶] key to adjust Sub Woofer Level to 3 steps (-15 ↔ 0 ↔ +15) (Initial value: 0).

Press [◀]/[▶] key to adjust Detailed-LPF SW to 2 steps (85kHz ↔ Through) (Initial value: Through).

Press [◀]/[▶] key to adjust Volume Offset (except for the internal AUX) to 2 steps (-8 ↔ 0) (Initial value: 0).

Press [◀]/[▶] key to adjust Volume Offset (internal AUX) to 3 steps (-8 ↔ 0 ↔ +8) (Initial value: 0).

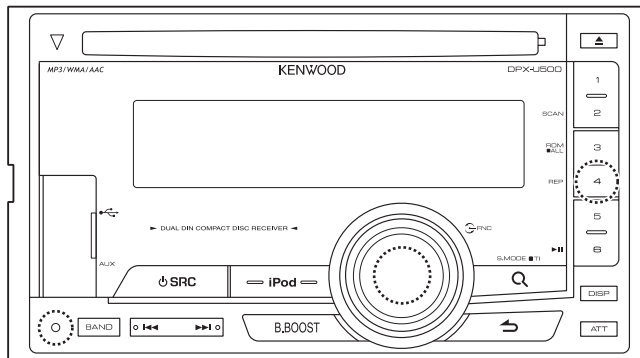
● Backup current measurement

Procedure	Note
Power on during ACC OFF (Back Up ON)	The MUTE terminal is turned OFF not in 15 seconds but in 2 seconds. (When the terminal is turned OFF, the CD mechanism does not function.)

3. Forced Power ON mode function

● How to transfer to the mode

In the set for E destination, even if security is allowed, Power ON can be maintained for 30 minutes only by resetting while pressing and holding [ENTER] key and [PRESET-4] key. After 30 minutes have elapsed, the set can be recovered only by resetting it.

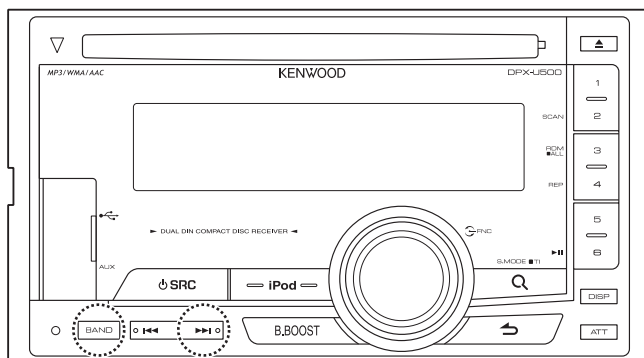


TEST MODE

4. Security code forced deletion function

● How to transfer to the mode (E destination)

When a code is requested, press and hold [SEEK UP] key for 3 seconds while pressing [BAND] key to be transferred to the mode, ([-][-][-][-]) will be cleared.



● Simple security code forced deletion

Delete (Release) a security code forcibly with the operations below.

- Enter "KCAR" with a remote controller.
 Press [5] key of a remote controller 2 times to display "K", and then press [▶▶] key.
 Press [2] key of a remote controller 3 times to display "C", and then press [▶▶] key.
 Press [2] key of a remote controller 1 time to display "A", and then press [▶▶] key.
 Press [7] key of a remote controller 2 times to display "R", and then press [▶▶] key.
- Security is released to be a STANDBY mode.
- When incorrect remote controller code has been entered, it will be the code request mode.

5. DC error detection information display function

● How to transfer to the mode

While pressing and holding [PRESET-3] key and [PRESET-6] key, reset-start to enter the DC error display mode.

The opening display shall be omitted for the easy recognition of the mode transfer.

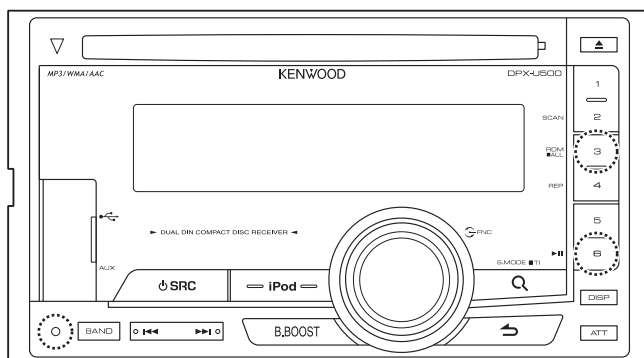
In the STANDBY source, the present DC error detection status is displayed.

The transfer to this mode shall be possible even if the DC error has been detected.

This mode is cleared by reset. (The last status is not retained)

In this mode, DOP setting is unavailable (Except only for DOP TYPE display).

In the set for E destination, even if security is allowed, Power ON can be maintained only for 30 minutes.



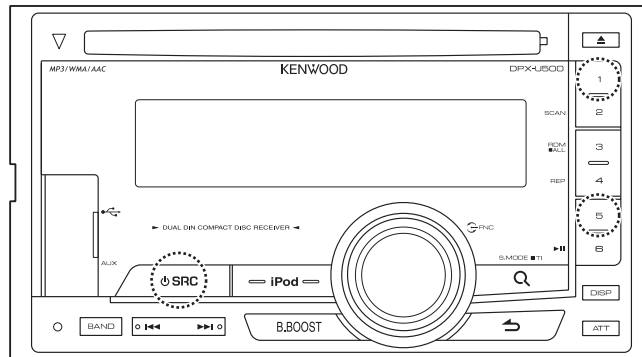
TEST MODE

Key	Description of display	Description
While pressing and holding [3] key and [6] key, reset-start.	[D] [C] [] [] [#] [#] [#] [] [] [] [] [] []	DC error detection status display When DC error is detected (capacitor leaks, misconnections or any other errors are detected): "ERR" When DC error is not detected (no capacitor leaks, misconnections or any other errors are detected): "OK"
1	[D] [C] [1] [] [#] [#] [#] [] [] [] [] [] []	DC error detection status display When DC error is detected (capacitor leaks, misconnections or any other errors are detected): "ERR" When DC error is not detected (no capacitor leaks, misconnections or any other errors are detected): "OK"
■ 1	[D] [C] [1] [] [O] [K] [] [] [] [] [] []	While pressing and holding the keys for 2 seconds in displaying misconnection and any other detection presence information, initialize it. * After initializing, "OK" is displayed.
2	[D] [C] [2] [] [#] [] [] [] [] [] [] [] []	Display of the number of capacitor leak detection 0: Not detected 1~3: Detected 1~3 times 4: Detected 4 times or more
■ 2	[D] [C] [2] [] [0] [] [] [] [] [] [] [] []	While pressing and holding [PRESET-2] key for 2 seconds in displaying number of capacitor leak detection, initialize its information. * After initializing, "0" is displayed.

6. Frequency span switching function (M destination)

Power ON by pressing [SRC] key while pressing and holding [PRESET-1] key and [PRESET-5] key in Power OFF.

FM 50kHz/ AM 9kHz ↔ FM 50kHz/ AM 10kHz



TEST MODE

7. ROM correction writing-in function

● How to transfer to the mode

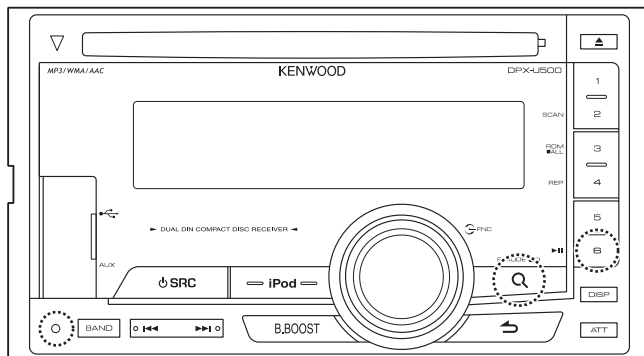
While pressing and holding [PRESET-6] + [SEARCH], reset to transfer to the ROM correction writing-in mode.

The opening display shall be omitted for the easy recognition of the mode transfer.

In this mode, DOP setting is unavailable (Except only for DOP TYPE display).

In the old model, after the mode transfer, the operation is possible to become unstable due to the ununiformity of the respective keys' effectiveness.

And considering the confusion due to an accidental press in the line, the keys other than [EJECT] key shall be disabled.



After entering to this mode, insert DISC and USB.

The display of the SRC switching is shown in the same manner as the display of the normal mode.

After the completion of Reading, start the Update if there is an update file.

If there is no update file, display "NO FILE".

Note that the DEMO mode display in ROM correction UPDATE mode will cause the Delay of the mask or the beginning of start-up.

* According to the internal software specification, DEMO mode ON setting shall be disabled. And during the ROM correction UPDATE, it shall keep initializing the timer for DEMO mode startup management.

Key	Description of display	Description
[F] [/] [W] [] [U] [P] [D] [A] [T] [E] [] [] []		STANDBY condition in the forced ROM correction data update mode
[R] [E] [A] [D] [I] [N] [G] [] [] [] [] [] []		Display of READING in progress. * Display in 2Hz blinking
[N] [O] [] [F] [I] [L] [E] [] [] [] [] [] []		The "NO FILE" is displayed when there is no update file
[U] [P] [D] [A] [T] [I] [N] [G] [] [] [] [] [] []		Display after confirming the existence of an update file, Display in Update. * Display in 2Hz blinking
[V] [E] [R] [] [] [#] [.] [#] [#] [] [] [] [] [] []		Completion of the UPDATE (the number in 3 digits displays the version) * This version is the F/W Update version. * For the ROM correction versions of respective μ -com's (System μ -com/ Panel/ Bolero), refer to the F/W management table.
[E] [R] [R] [O] [R] [] [] [] [] [] [] [] [] [] []		Failure of the UPDATE

TEST MODE

8. DOP setting function

● How to transfer to the mode

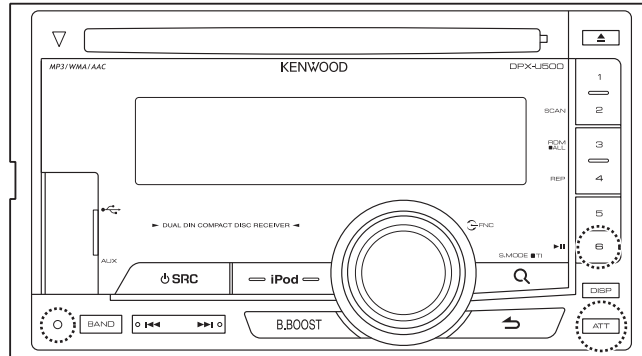
While pressing and holding [ATT] + [PRESET-6], reset to transfer to the DOP setting mode.

The opening display shall be omitted for the easy recognition of the mode transfer.

In this mode, DOP setting is unavailable (Except only for DOP TYPE display).

In the old model, after the mode transfer, the operation is possible to become unstable due to the ununiformity of the respective keys' effectiveness.

And considering the confusion due to an accidental press in the line, the keys other than [EJECT] key shall be disabled.



After entering to this mode, insert DISC and USB.

The display of the SRC switching is shown in the same manner as the display of the normal mode.

After the completion of READING, start the UPDATE if there is a setting file.

If there is no setting file, display "NO FILE".

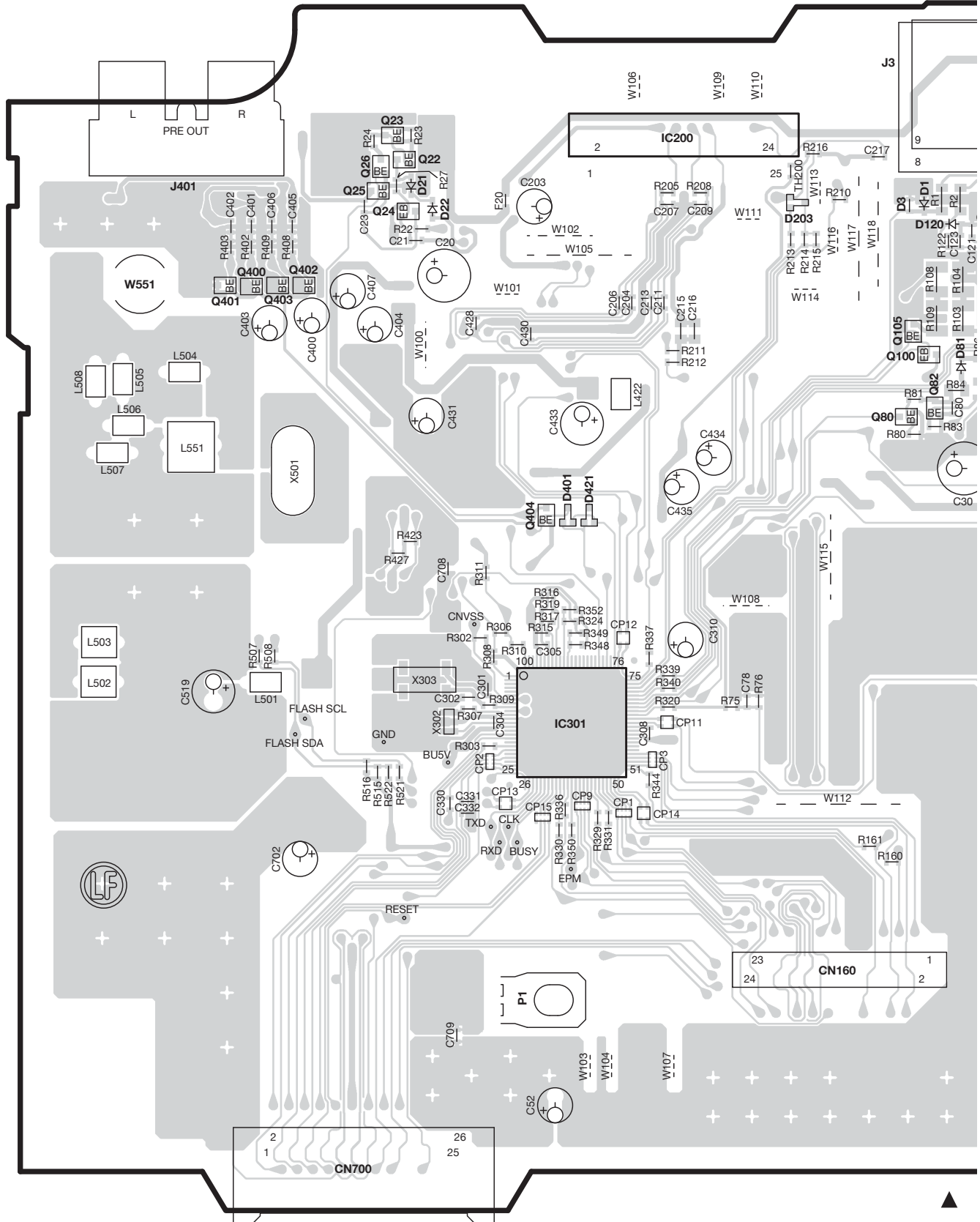
Note that the DEMO mode display in DOP setting mode will cause the Delay of the mask or the beginning of startup.

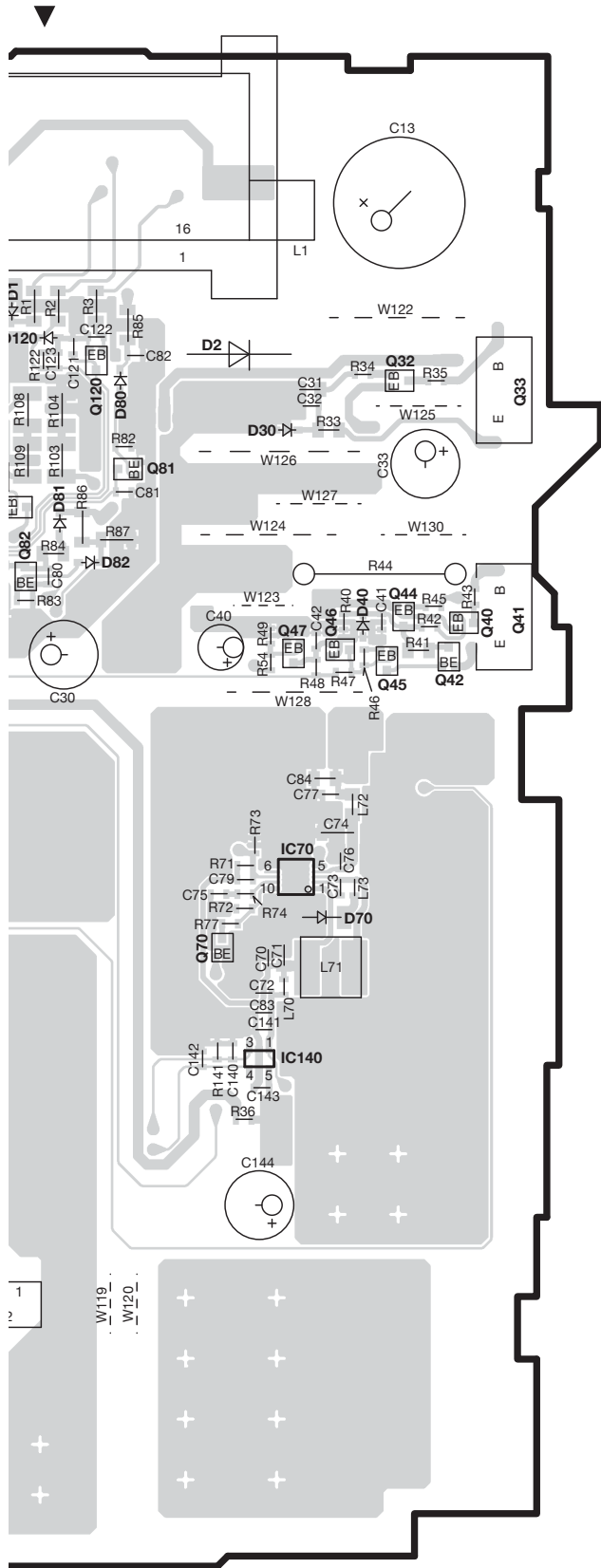
* According to the internal software specification, DEMO mode ON setting shall be disabled. And during the DOP setting mode, it shall keep initializing the timer for DEMO mode startup management.

Key	Description of display	Description
[D] [O] [P] [] [S] [E] [T] [T] [I] [N] [G] [] []		STANDBY condition in the DOP setting update mode
[R] [E] [A] [D] [I] [N] [G] [] [] [] [] [] []		Display of READING in progress. * Display in 2Hz blinking
[N] [O] [] [F] [I] [L] [E] [] [] [] [] [] []		Display when there is no setting file
[U] [P] [D] [A] [T] [I] [N] [G] [] [] [] [] [] []		The UPDATING is displayed after it is verified that there is a setting file * Display in 2Hz blinking
[V] [E] [R] [] [] [#] [#] [#] [] [] [] [] [] []		Completion of the setting (the number in 3 digits displays the version)
[E] [R] [R] [O] [R] [] [] [] [] [] [] [] []		Failure of the setting

PC BOARD (COMPONENT SIDE VIEW)

ELECTRIC UNIT X34-700x-xx (J76-0740-22)





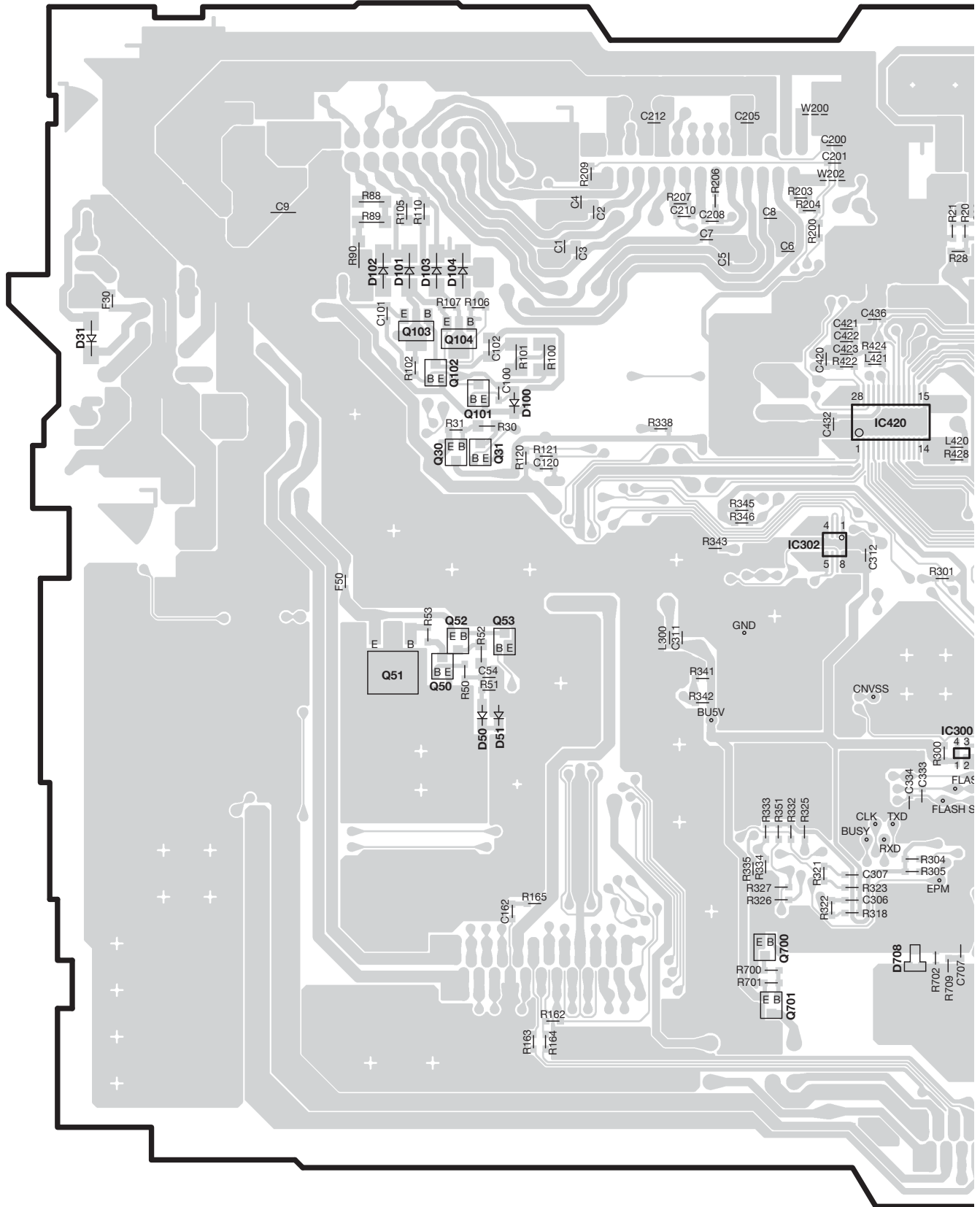
X34-700x-xx

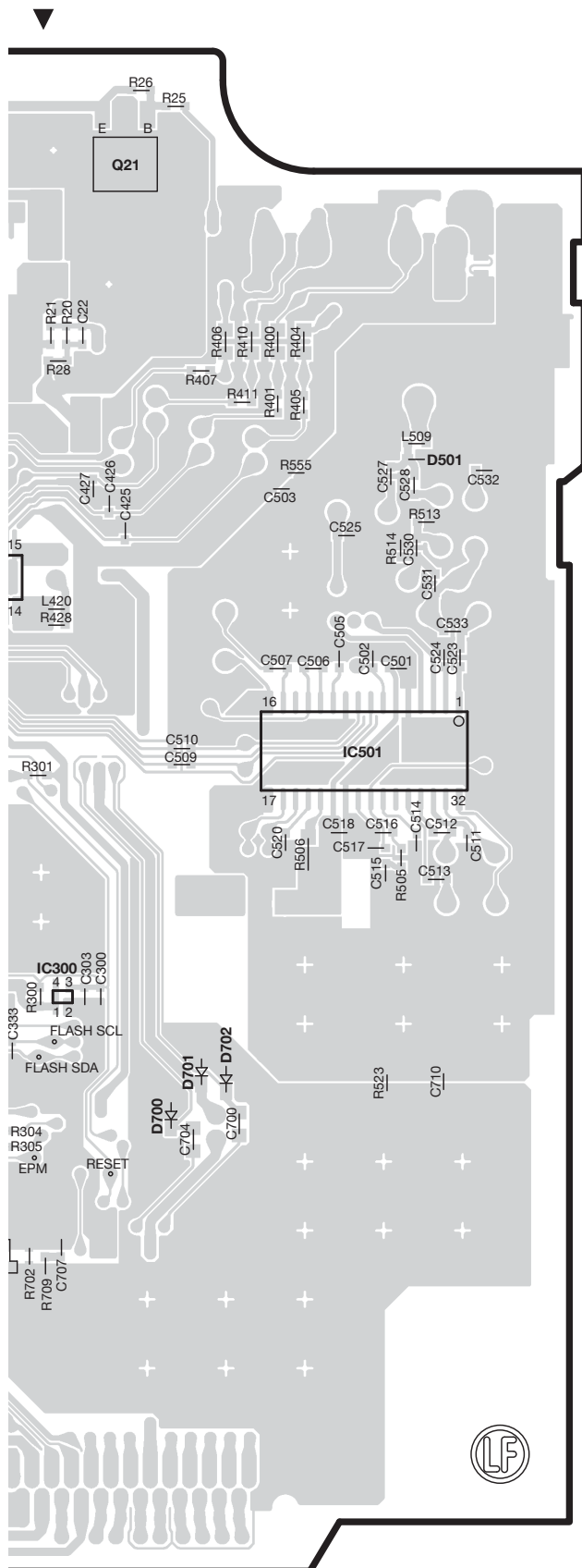
Ref. No.	Address
IC70	4G
IC140	5F
IC200	2D
IC301	5D
Q22	2C
Q23	2C
Q24	2C
Q25	2C
Q26	2C
Q32	2G
Q33	3G
Q40	3G
Q41	3G
Q42	4G
Q44	3G
Q45	4G
Q46	3G
Q47	3G
Q80	3E
Q81	3F
Q82	3E
Q100	3E
Q105	3E
Q120	3F
Q400	3B
Q401	3B
Q402	3B
Q403	3B
Q404	4C

Refer to the schematic diagram for the values of resistors and capacitors.

PC BOARD (FOIL SIDE VIEW)

ELECTRIC UNIT X34-700x-xx (J76-0740-22)





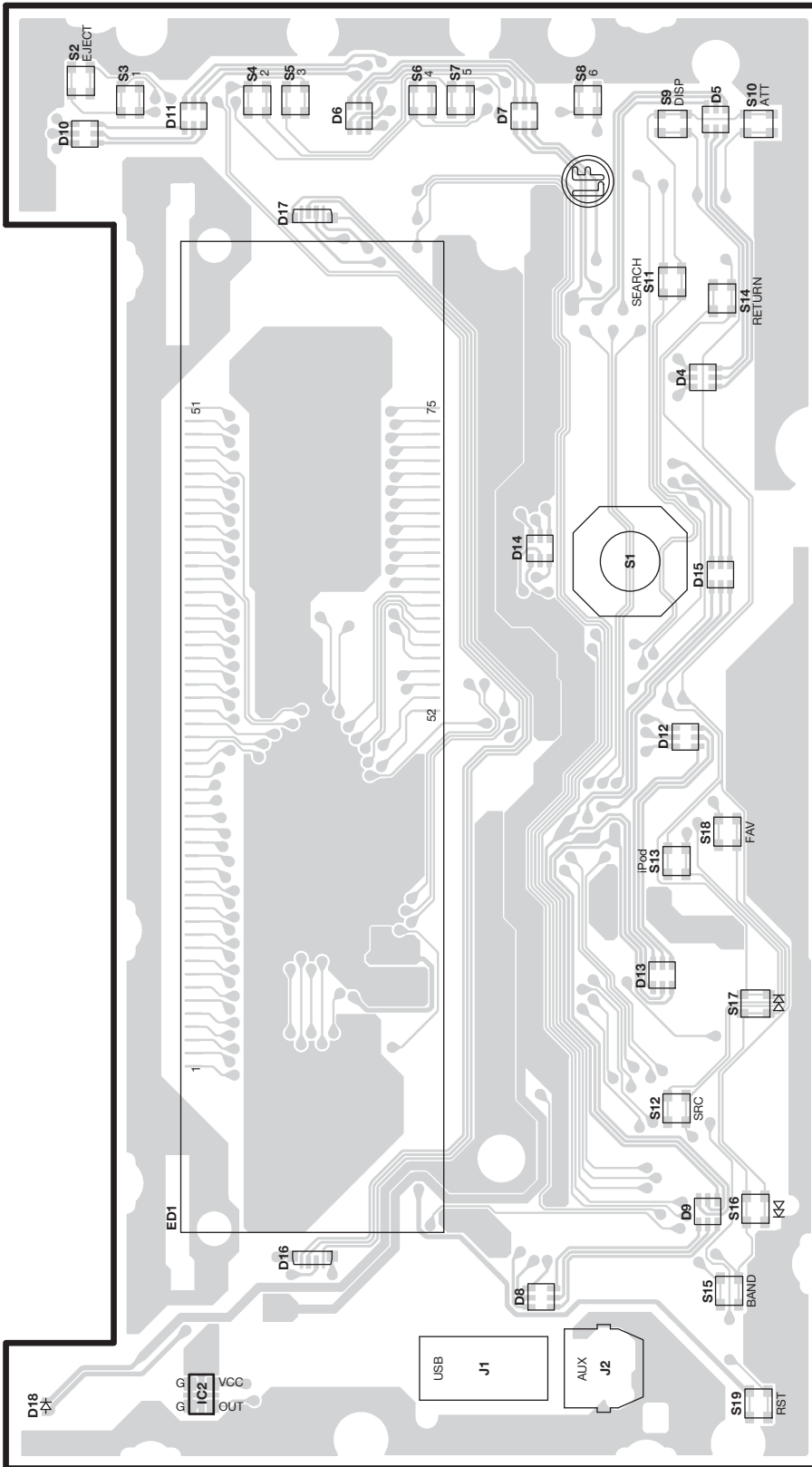
X34-700x-xx

Ref. No.	Address
IC300	5P
IC302	4O
IC420	3O
IC501	4Q
Q21	2P
Q30	3M
Q31	3M
Q50	4M
Q51	4M
Q52	4M
Q53	4M
Q101	3M
Q102	3M
Q103	3M
Q104	3M
Q700	6O
Q701	6O

Refer to the schematic diagram for the values of resistors and capacitors.

PC BOARD (COMPONENT SIDE VIEW)

SWITCH UNIT X16-7120-2x (J76-0741-02)



X16-7120-2x

Ref. No.	Address
IC2	6V

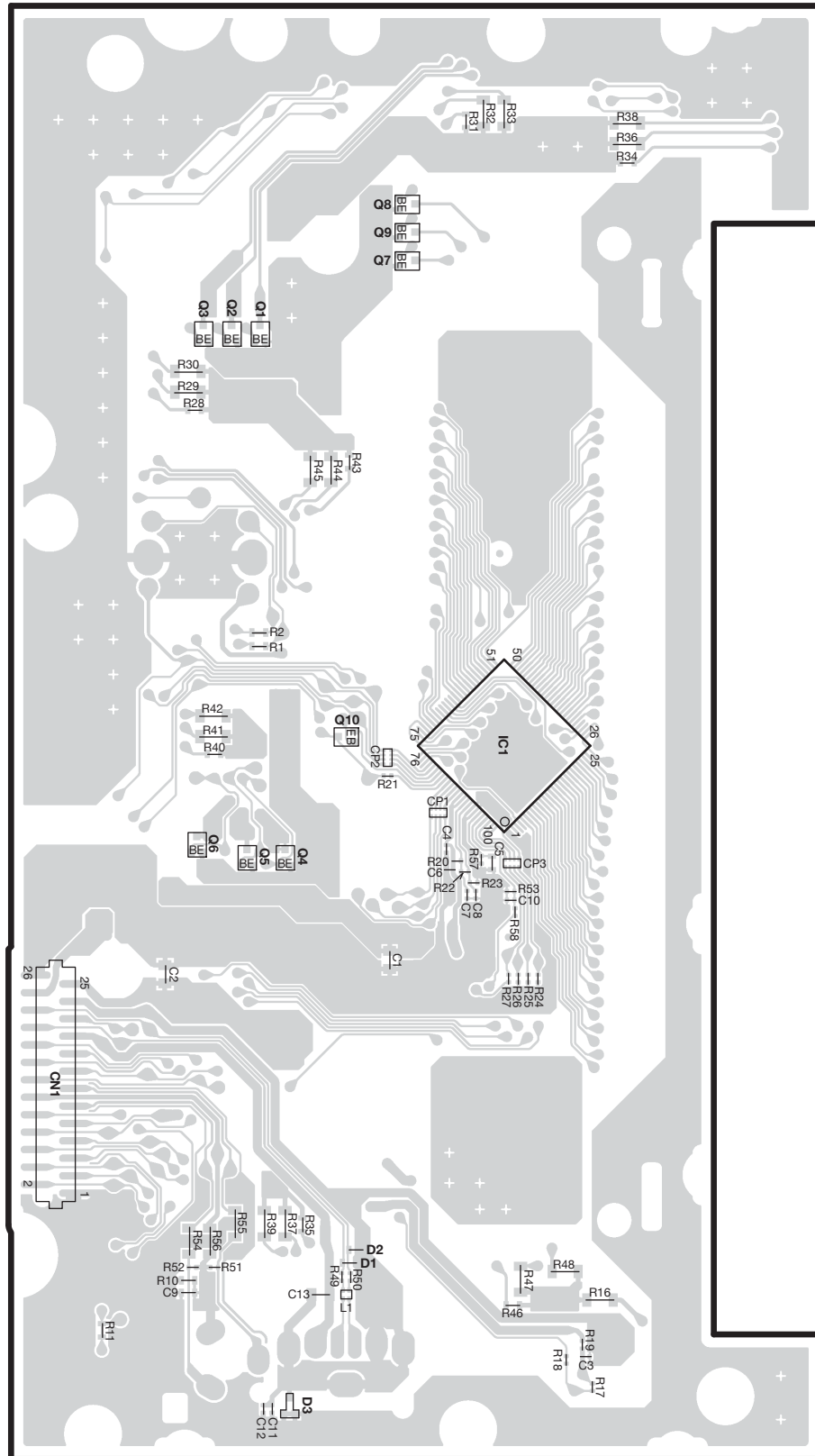
Refer to the schematic diagram for the values of resistors and capacitors.

PC BOARD (FOIL SIDE VIEW)

SWITCH UNIT X16-7120-2x (J76-0741-02)

X16-7120-2x

Ref. No.	Address
IC1	4AC
Q1	3AB
Q2	3AB
Q3	3AA
Q4	5AB
Q5	5AB
Q6	4AA
Q7	2AB
Q8	2AB
Q9	2AB
Q10	4AB

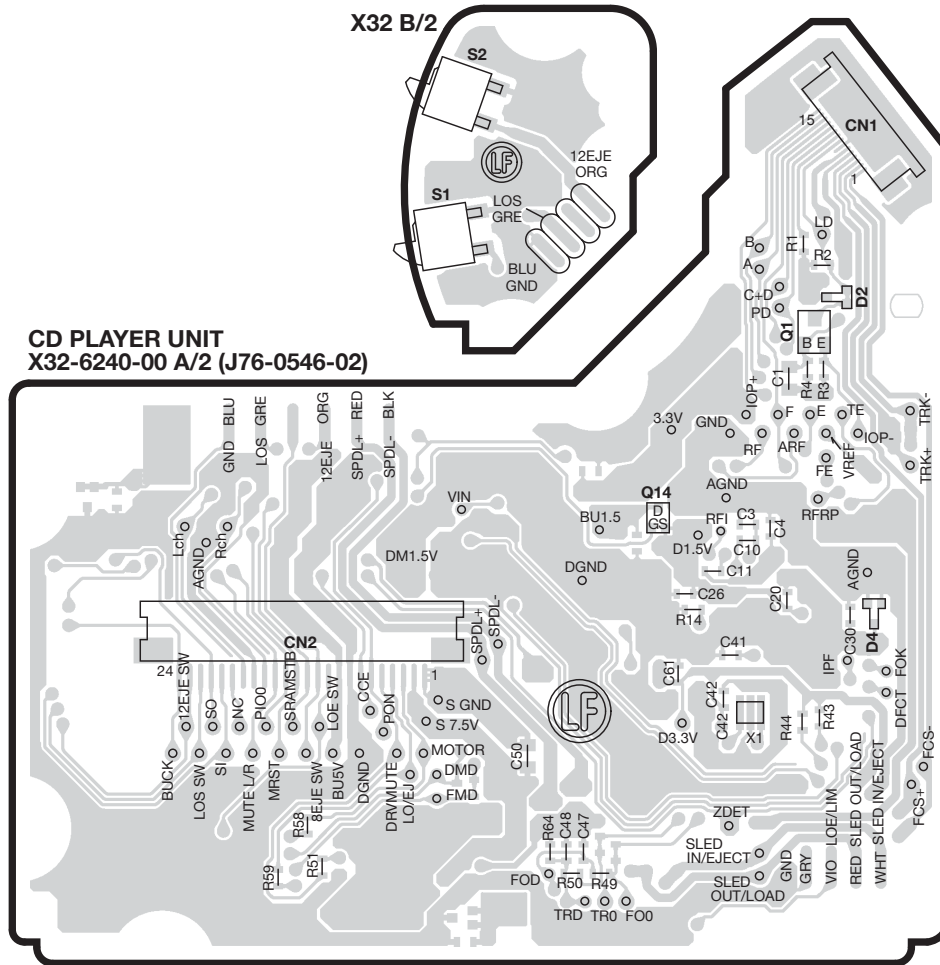


Refer to the schematic diagram for the values of resistors and capacitors.

DPX304/DPX308U/DPX404U
DPX-MP3120/U5120/U5120S

PC BOARD (COMPONENT SIDE VIEW)

DPX304, DPX-MP3120



CD PLAYER UNIT
X32-6240-00 A/2 (J76-0546-02)

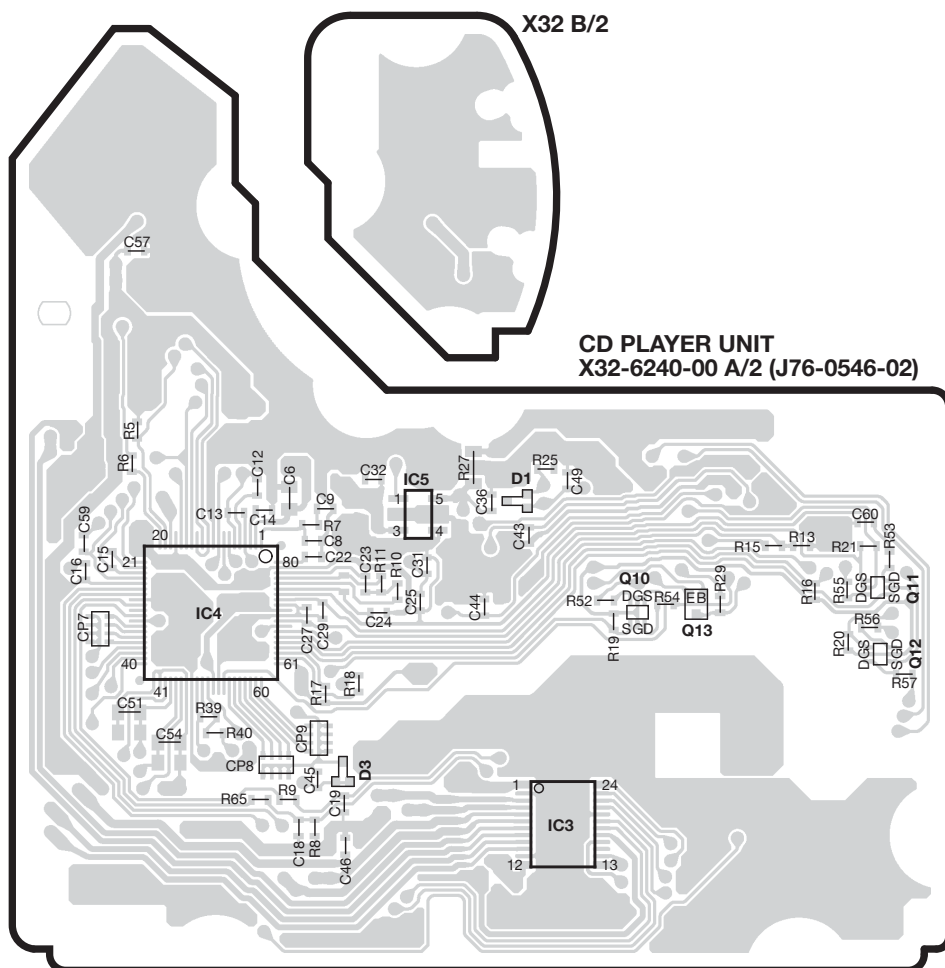
X32-6240-00

Ref. No.	Address
Q1	2AH
Q14	3AH

Refer to the schematic diagram for the values of resistors and capacitors.

PC BOARD (FOIL SIDE VIEW)

DPX304, DPX-MP3120



X32-6240-00

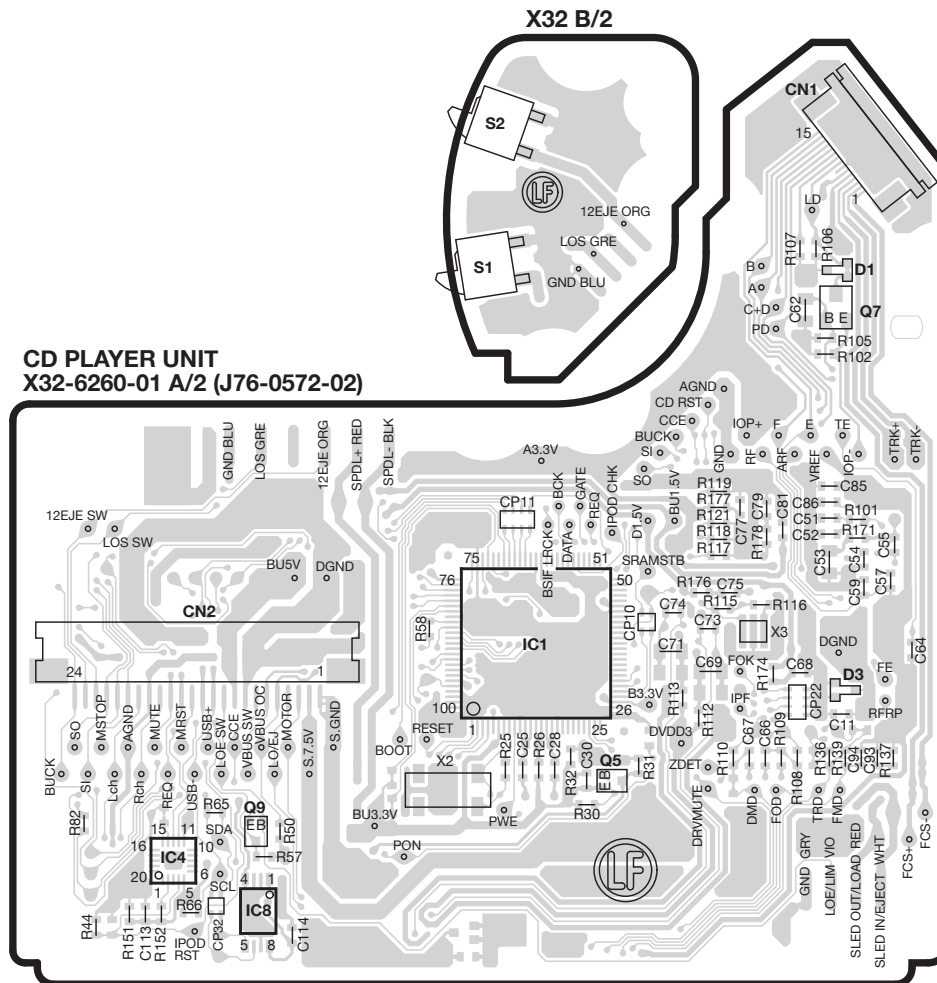
Ref. No.	Address
IC3	4AL
IC4	3AK
IC5	3AL
Q10	3AL
Q11	3AM
Q12	3AM
Q13	3AM

Refer to the schematic diagram for the values of resistors and capacitors.

DPX304/DPX308U/DPX404U
DPX-MP3120/U5120/U5120S

PC BOARD (COMPONENT SIDE VIEW)

DPX308U/DPX404U, DPX-U5120/U5120S



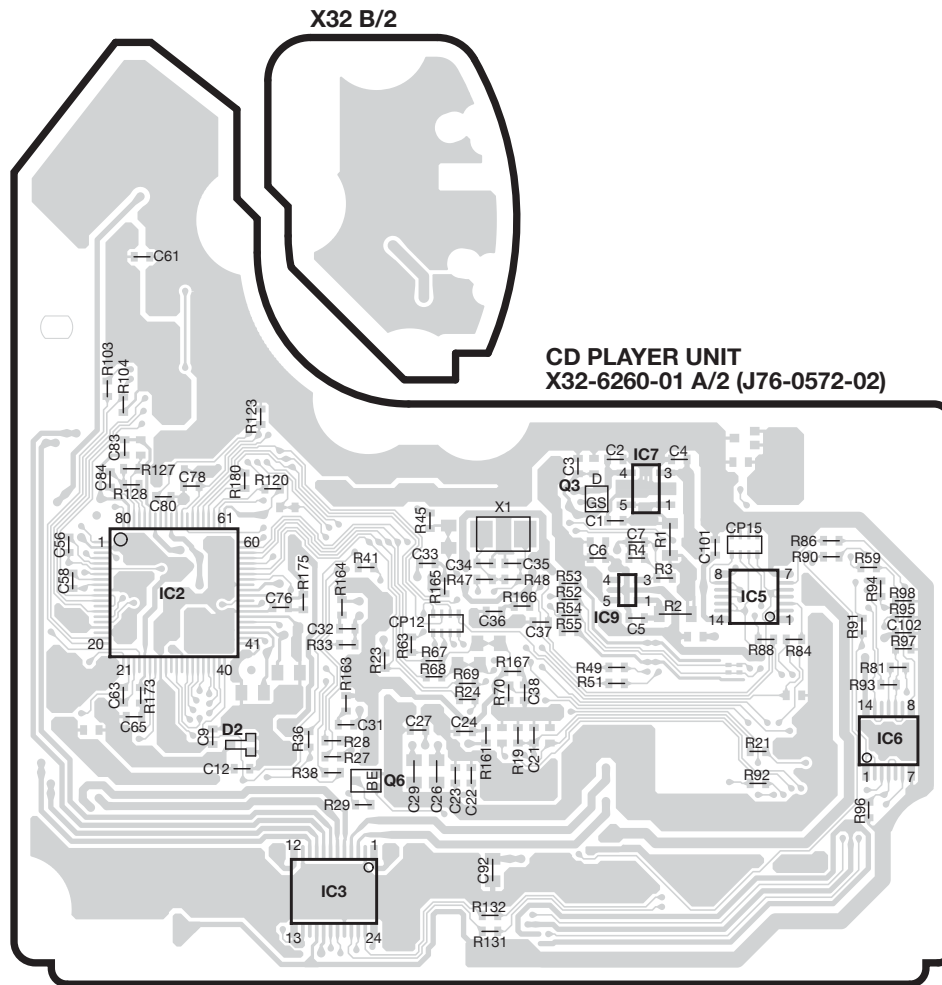
X32-6260-01

Ref. No.	Address
IC1	3AQ
IC4	4AP
Q5	4AR
Q7	2AR
Q9	4AP

Refer to the schematic diagram for the values of resistors and capacitors.

PC BOARD (FOIL SIDE VIEW)

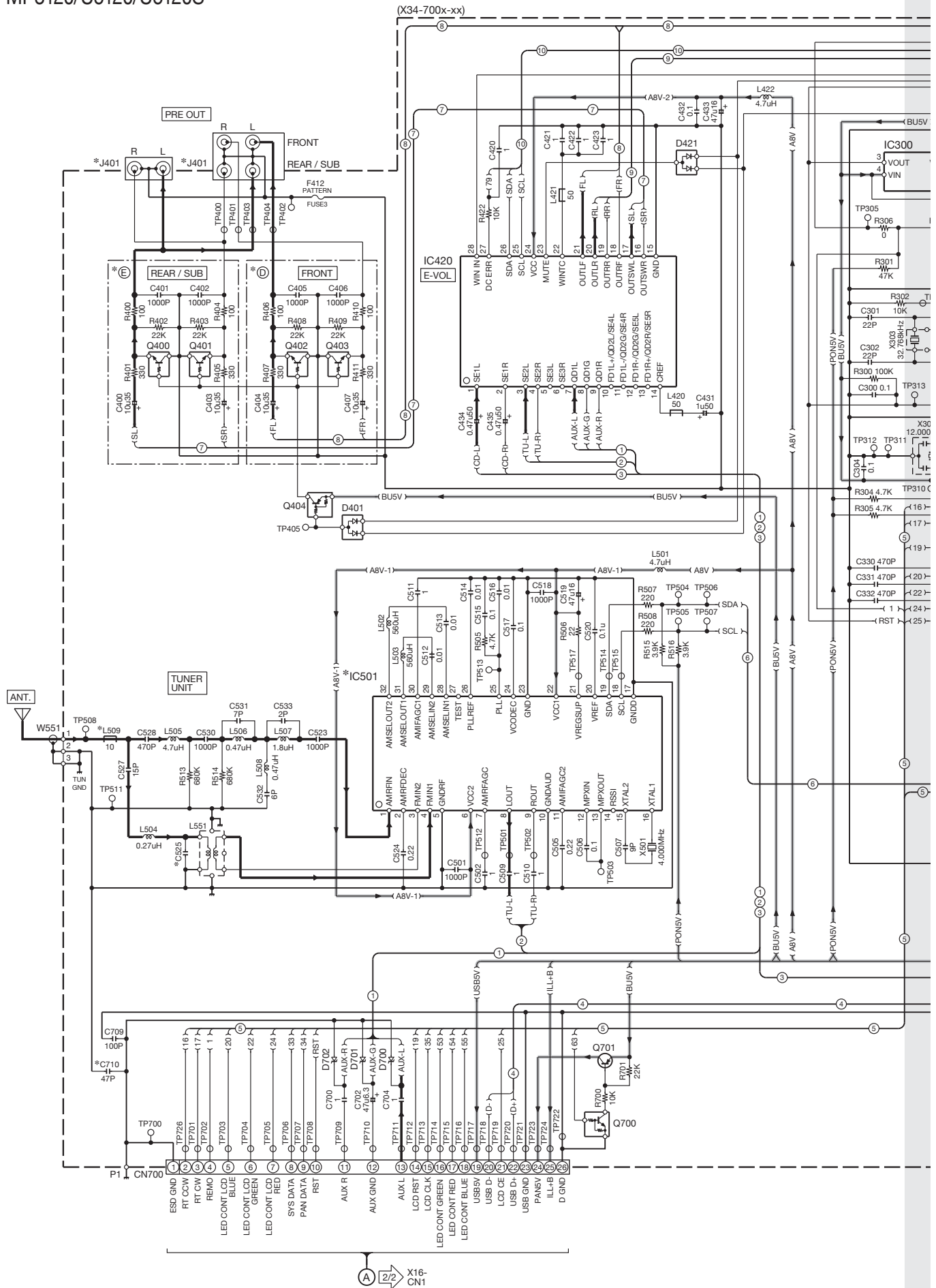
DPX308U/DPX404U, DPX-U5120/U5120S

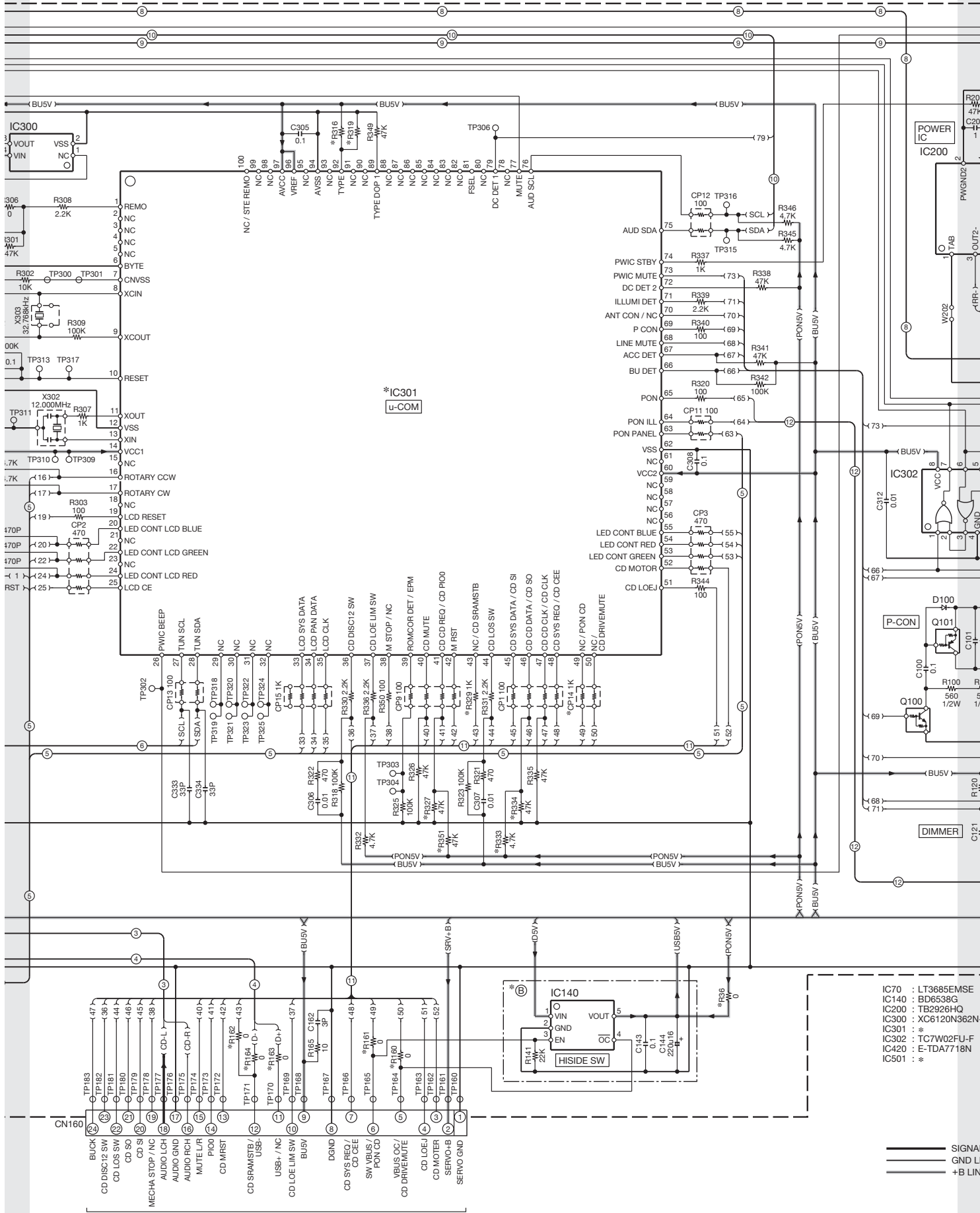


X32-6260-01

Ref. No.	Address
IC2	3AU
IC3	4AU
IC5	3AW
IC6	4AW
IC7	3AV
IC9	3AV
Q3	3AV
Q6	4AV

Refer to the schematic diagram for the values of resistors and capacitors.



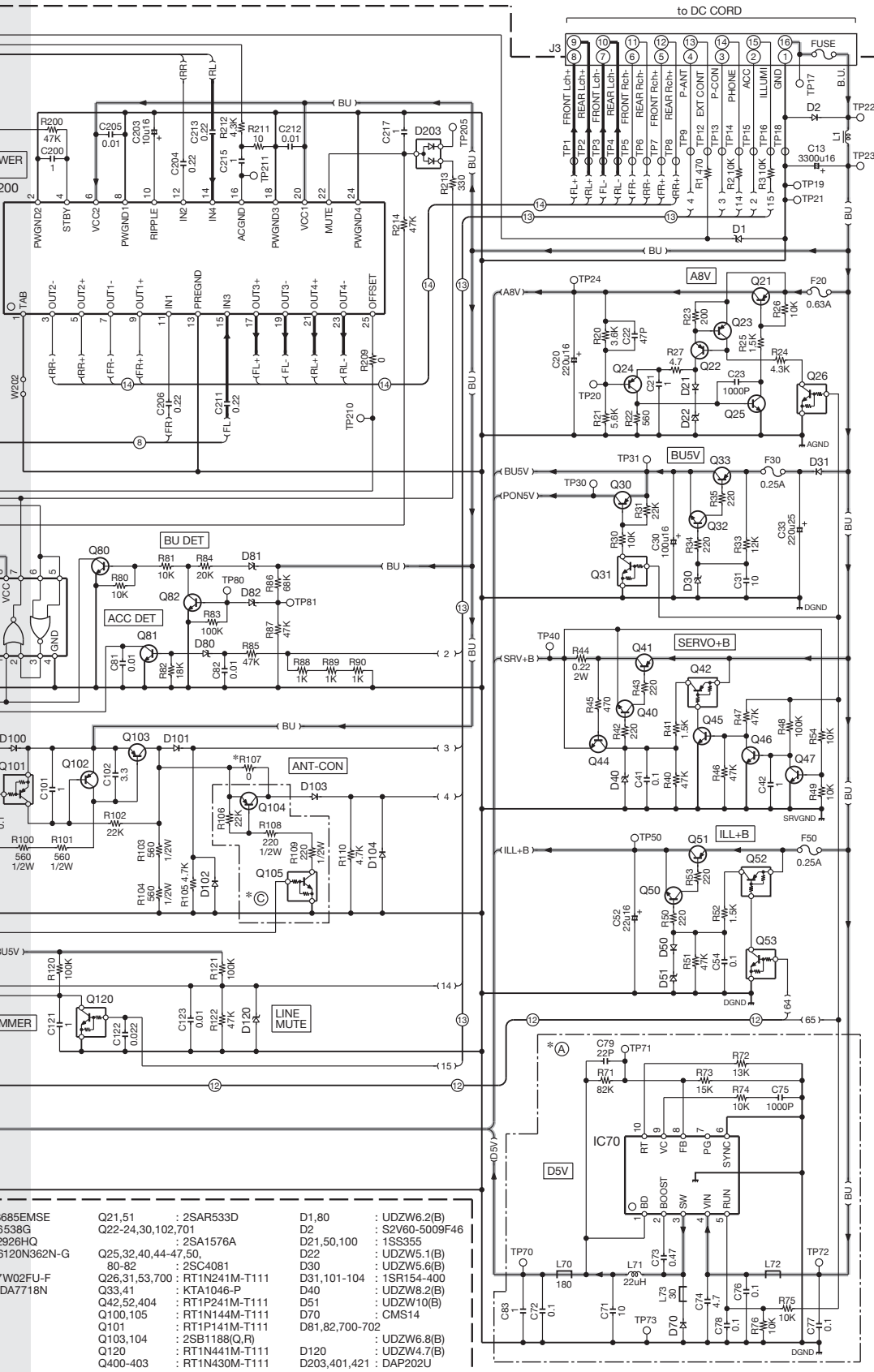


- IC70 : LT3685EMSE
- IC140 : BD6538G
- IC200 : TB2926HQ
- IC300 : XC6120N362N-
- IC301 : *
- IC302 : TC7W02FU-F
- IC420 : E-TDA7718N
- IC501 : *

— SIGNAL
 — GND LINE
 — +B LINE

to CD MECHA

DPX304/DPX308U/DPX404U
DPX-MP3120/U5120/U5120S



CAUTION : For continued safety, replace safety critical components only with manufacturer's recommended parts (refer to parts list).

⚠ Indicates safety critical components. To reduce the risk of electric shock, leakage-current or resistance measurements shall be carried out (exposed parts are acceptably insulated from the supply circuit) before the appliance is returned to the customer.

- DC voltages are as measured with a high impedance voltmeter. Values may vary slightly due to variations between individual instruments or/and units.

DPX304/308U/404U, DPX-MP3120/U5120/U5120S (1/2)

(X34-700x-xx)

MODEL NAME	UNIT No.	M1/M2	DESTINATION	(A)(B)	(C)	(D)	(E)	C525	C710	CP14	IC301	IC501	J401	L509	R36,160-162,329,333,351	R107	R163,164,327,334	R316	R319
DPXU5120/S	0-20	M1/M2	YES	YES	YES	YES	27P	—	—	—	W05-1738-00	TEF6614TV1S4-X	2PRE	L92-0609	—	—	—	—	47K
DPX-U500	0-01	J	YES	YES	—	—	39P	—	—	—	W05-1738-00	TEF6614TV1S4-X	—	L92-0609	—	—	—	47K	22K
DPX308U	0-11	K1	YES	YES	YES	YES	27P	YES	—	—	W05-1738-00	TEF6614TV1S4-X	2PRE	L92-0607	—	—	—	22K	47K
DPX404U	2-71	E2	YES	—	YES	YES	27P	—	—	—	W05-1738-00	TEF6614TV1S3-X	2PRE	L92-0609	—	—	—	47K	—
DPX-MP3120	0-21	M3	—	YES	—	—	27P	—	YES	—	W05-1739-00	TEF6614TV1S4-X	1PRE	L92-0609	YES	—	—	—	47K
DPX304	2-72	E3	—	—	—	YES	27P	—	YES	—	W05-1739-00	TEF6614TV1S3-X	1PRE	L92-0609	YES	YES	—	—	47K

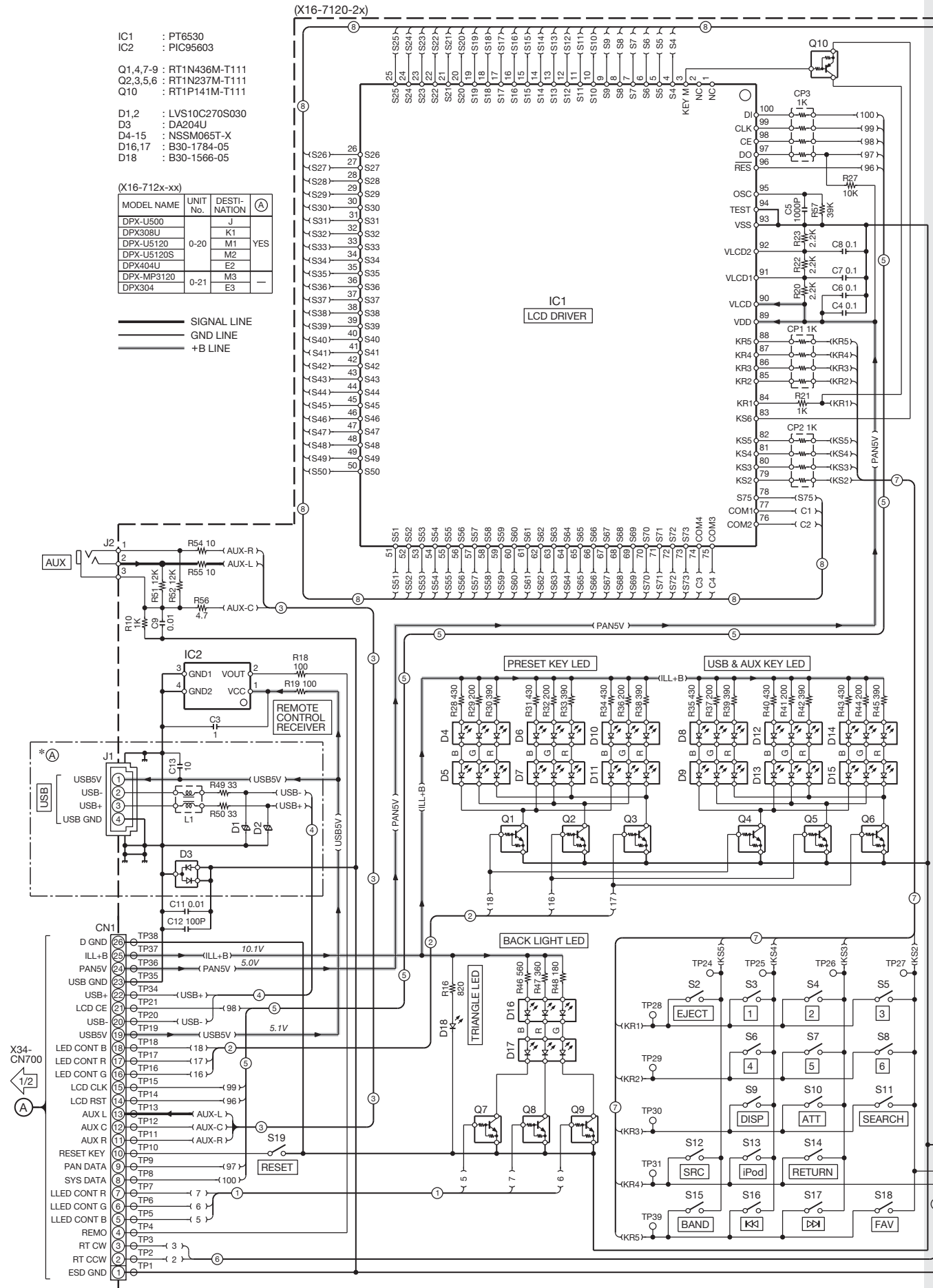
DPX304/DPX308U/DPX404U DPX-MP3120/U5120/U5120S

- IC1 : PT6530
- IC2 : PIC95603
- Q1,4,7-9 : RT1N436M-T111
- Q2,3,5,6 : RT1N237M-T111
- Q10 : RT1P141M-T111
- D1,2 : LVS10C270S030
- D3 : DA204U
- D4-15 : NSSM065T-X
- D16,17 : B30-1784-05
- D18 : B30-1566-05

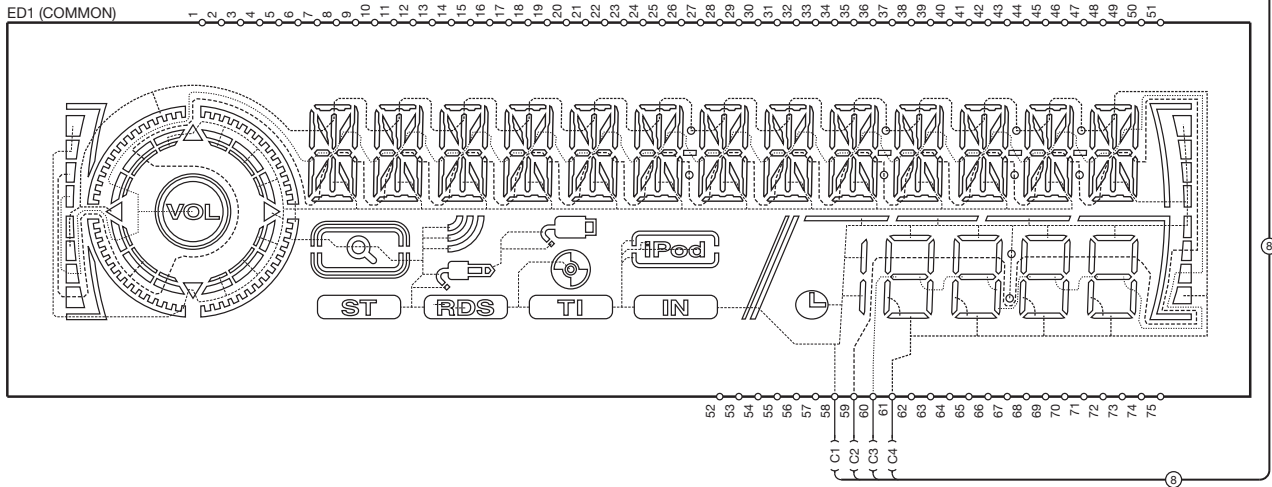
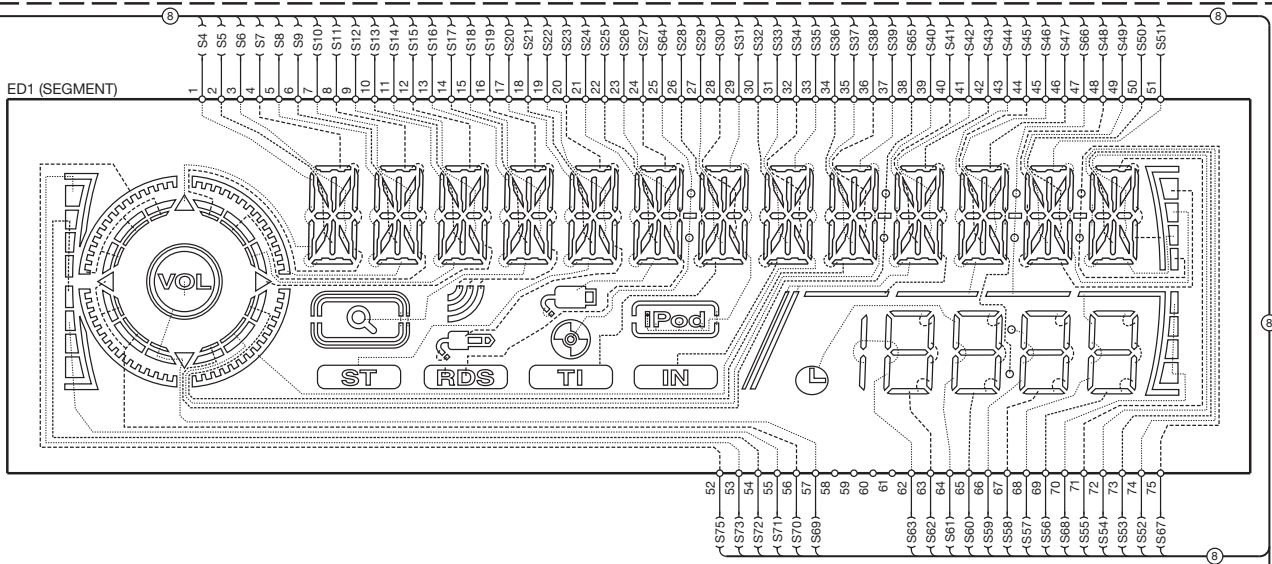
(X16-712x-xx)

MODEL NAME	UNIT No.	DESTINATION	(A)
DPX-U500		J	
DPX308U		K1	
DPX-U5120	0-20	M1	YES
DPX-U5120S		M2	
DPX404U		E2	
DPX-MP3120	0-21	M3	
DPX304		E3	

— SIGNAL LINE
 — GND LINE
 — +B LINE



1
2
3
4
5
6
7

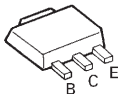


DPX304/308U/404U, DPX-MP3120/U5120/U5120S (2/2)

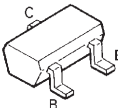
DTC114YUA
2SA1576A



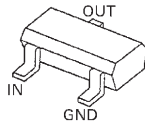
2SB1188



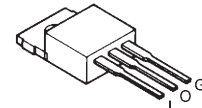
2SC4081



DTC144EUA



KTA1046-P



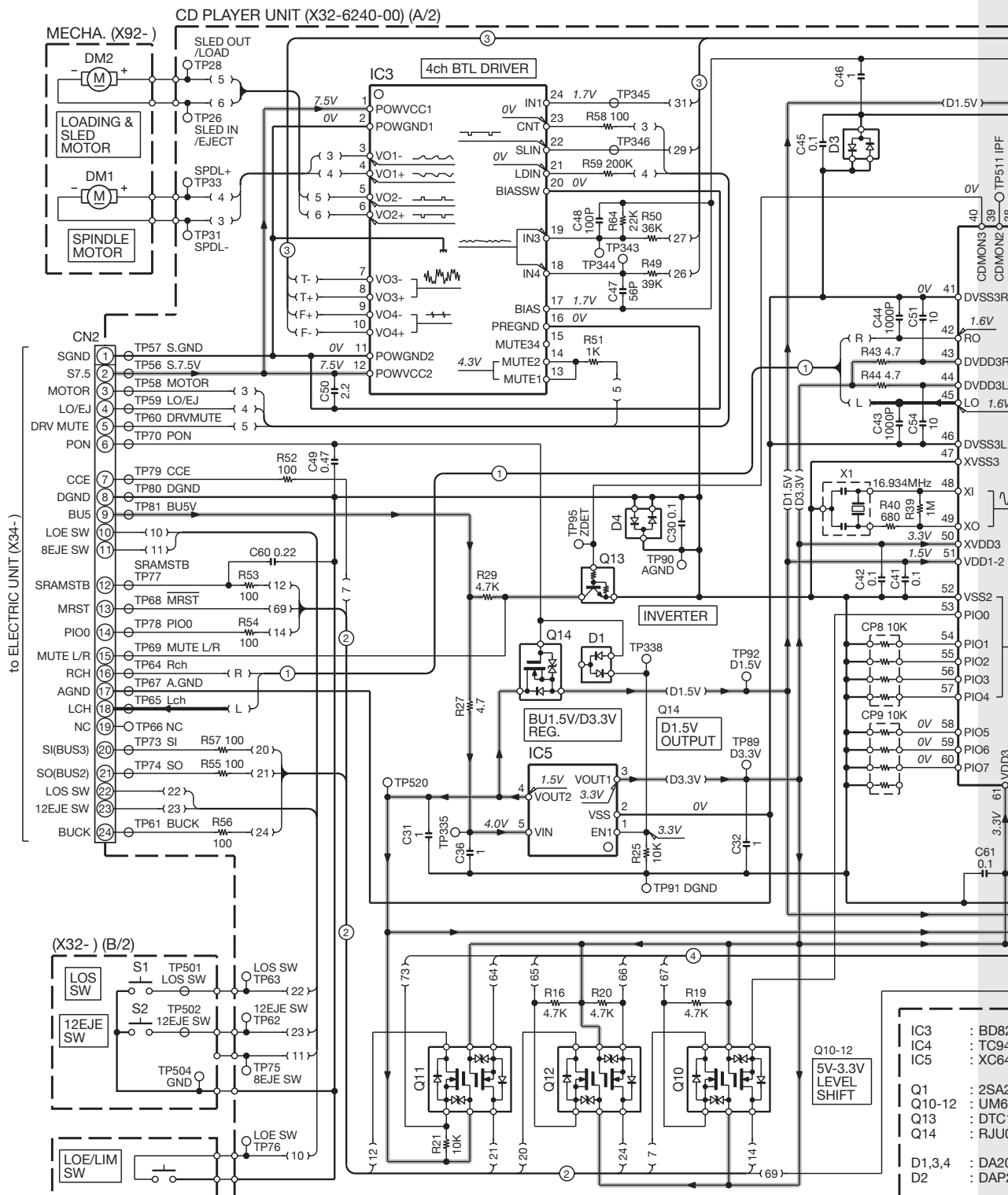
DAP202U
DA204U



CAUTION : For continued safety, replace safety critical components only with manufacturer's recommended parts (refer to parts list).

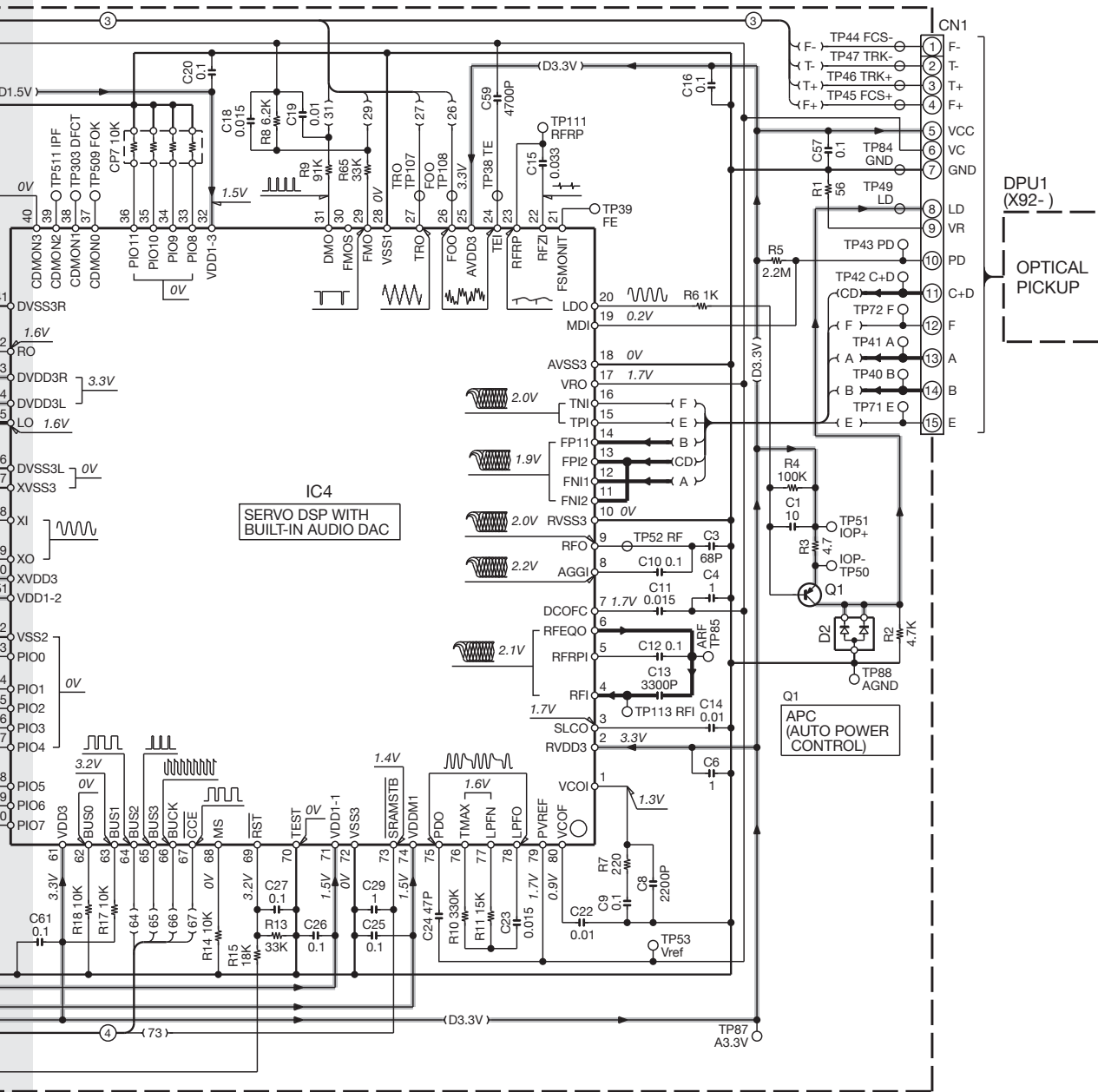
△ Indicates safety critical components. To reduce the risk of electric shock, leakage-current or resistance measurements shall be carried out (exposed parts are acceptably insulated from the supply circuit) before the appliance is returned to the customer.

- DC voltages are as measured with a high impedance voltmeter. Values may vary slightly due to variations between individual instruments or/and units.



- IC3 : BD8
- IC4 : TC9
- IC5 : XC6
- Q1 : 2SA2
- Q10-12 : UM6
- Q13 : DTC
- Q14 : RJU
- D1,3,4 : DA2
- D2 : DAP

DPX304, DPX-MP3120



- : BD8222EFV
- : TC94A92FG-001
- : XC6415S001P1
- 2 : 2SA2188-T1(E)
- 2 : UM6K1N
- 2 : DTC114YUA
- 2 : RJU003N03
- 4 : DA204U
- 4 : DAP202U

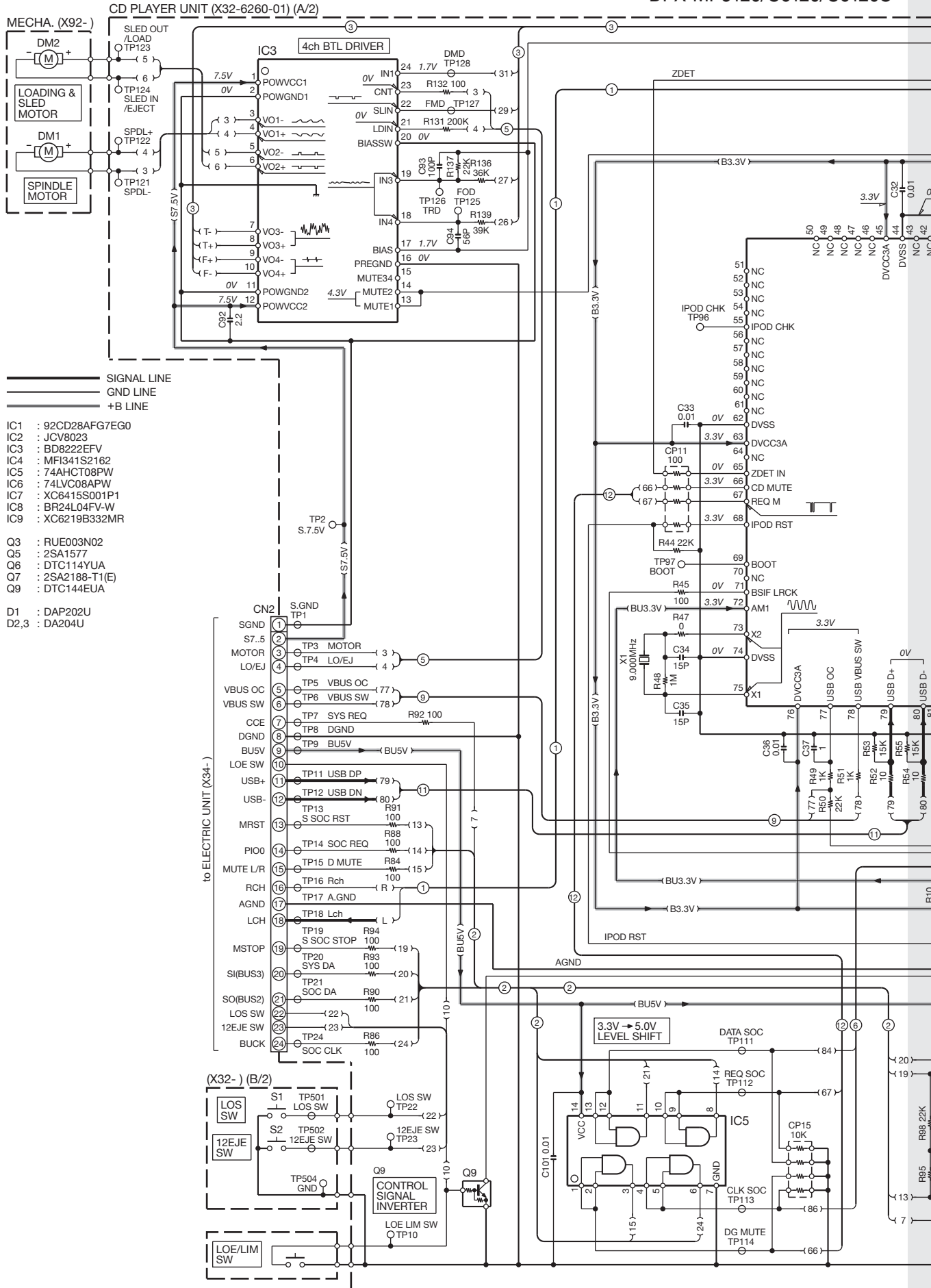


CAUTION : For continued safety, replace safety critical components only with manufacturer's recommended parts (refer to parts list).
 Δ Indicates safety critical components. To reduce the risk of electric shock, leakage-current or resistance measurements shall be carried out (exposed parts are acceptably insulated from the supply circuit) before the appliance is returned to the customer.

- DC voltages are as measured with a high impedance voltmeter. Values may vary slightly due to variations between individual instruments or/and units.

DPX308U/DPX404U, DPX-U5120/U5120S

DPX304/DPX308U/DPX404U
DPX-MP3120/U5120/U5120S

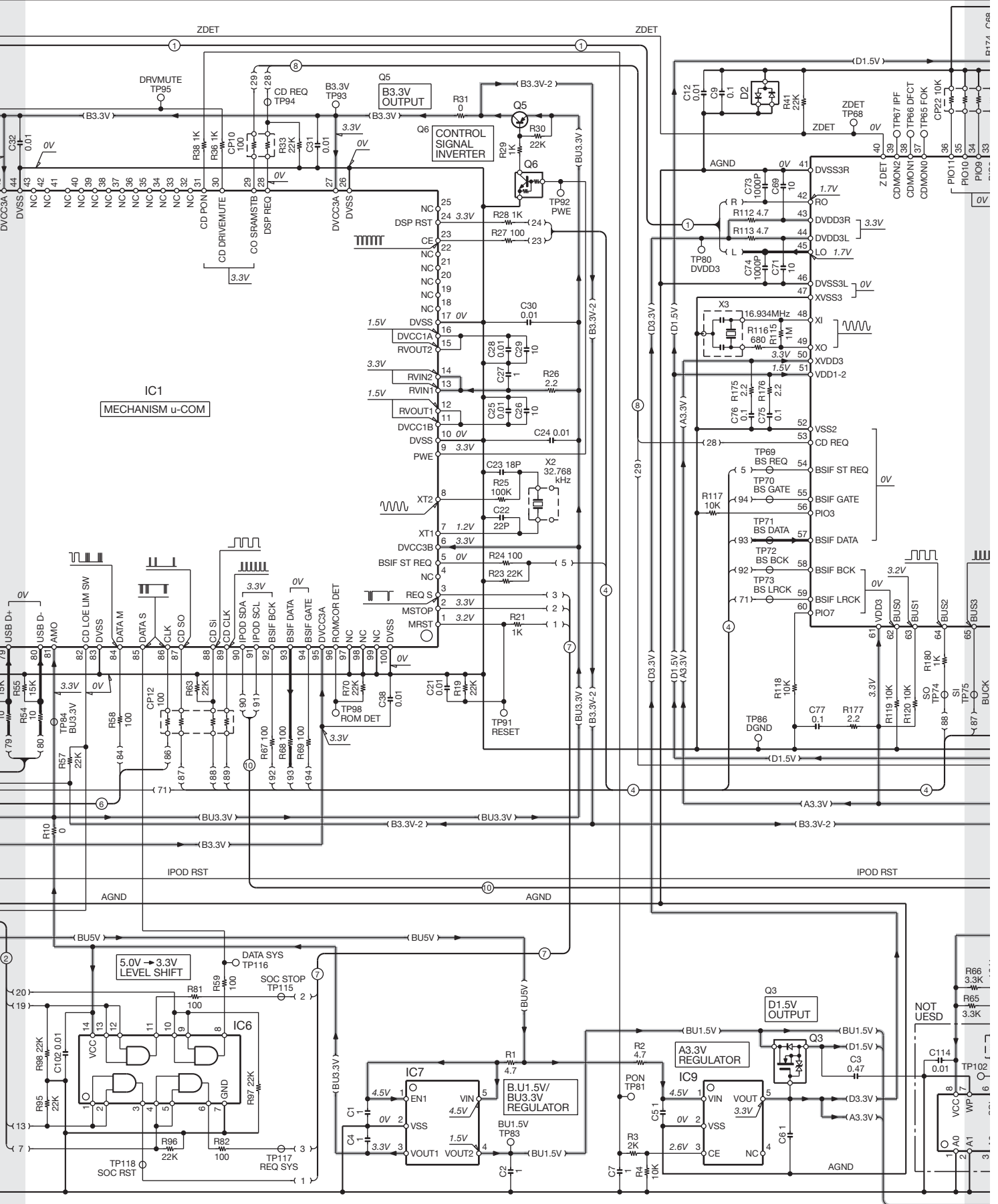


- IC1 : 92CD28AFG7EG0
- IC2 : JCV8023
- IC3 : BD8222EFV
- IC4 : MFI341S2162
- IC5 : 74AHCT08PW
- IC6 : 74LVC08APW
- IC7 : XC6415S001P1
- IC8 : BR24L04FV-W
- IC9 : XC6219B332MR

- Q3 : RUE003N02
- Q5 : 2SA1577
- Q6 : DTC114YUA
- Q7 : 2SA2188-T1(E)
- Q9 : DTC144EUA

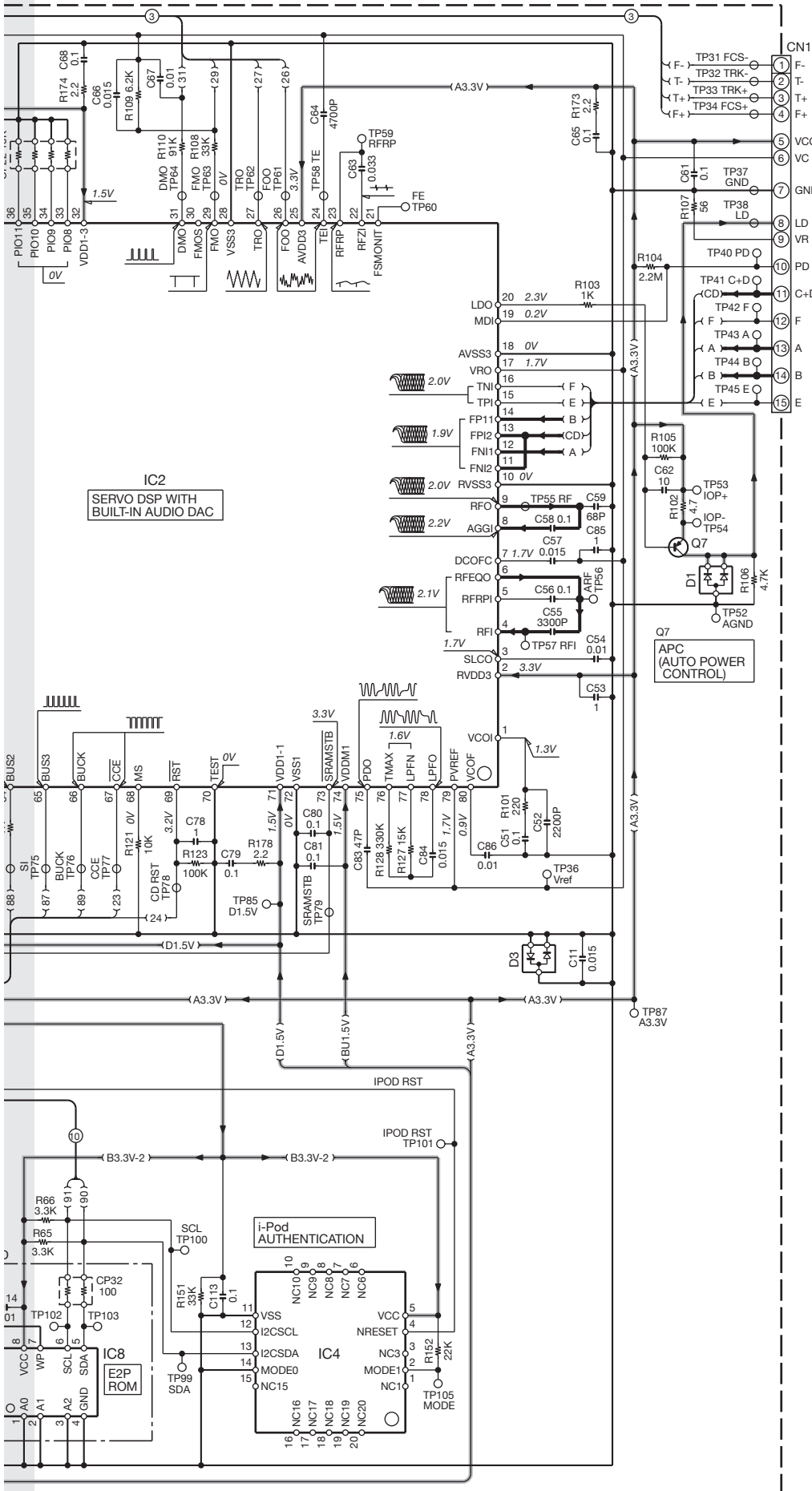
- D1 : DAP202U
- D2,3 : DA204U

— SIGNAL LINE
 — GND LINE
 — +B LINE



DPX308U/DPX404U, DPX-U5120/U5120S

DPX304/DPX308U/DPX404U
DPX-MP3120/U5120/U5120S

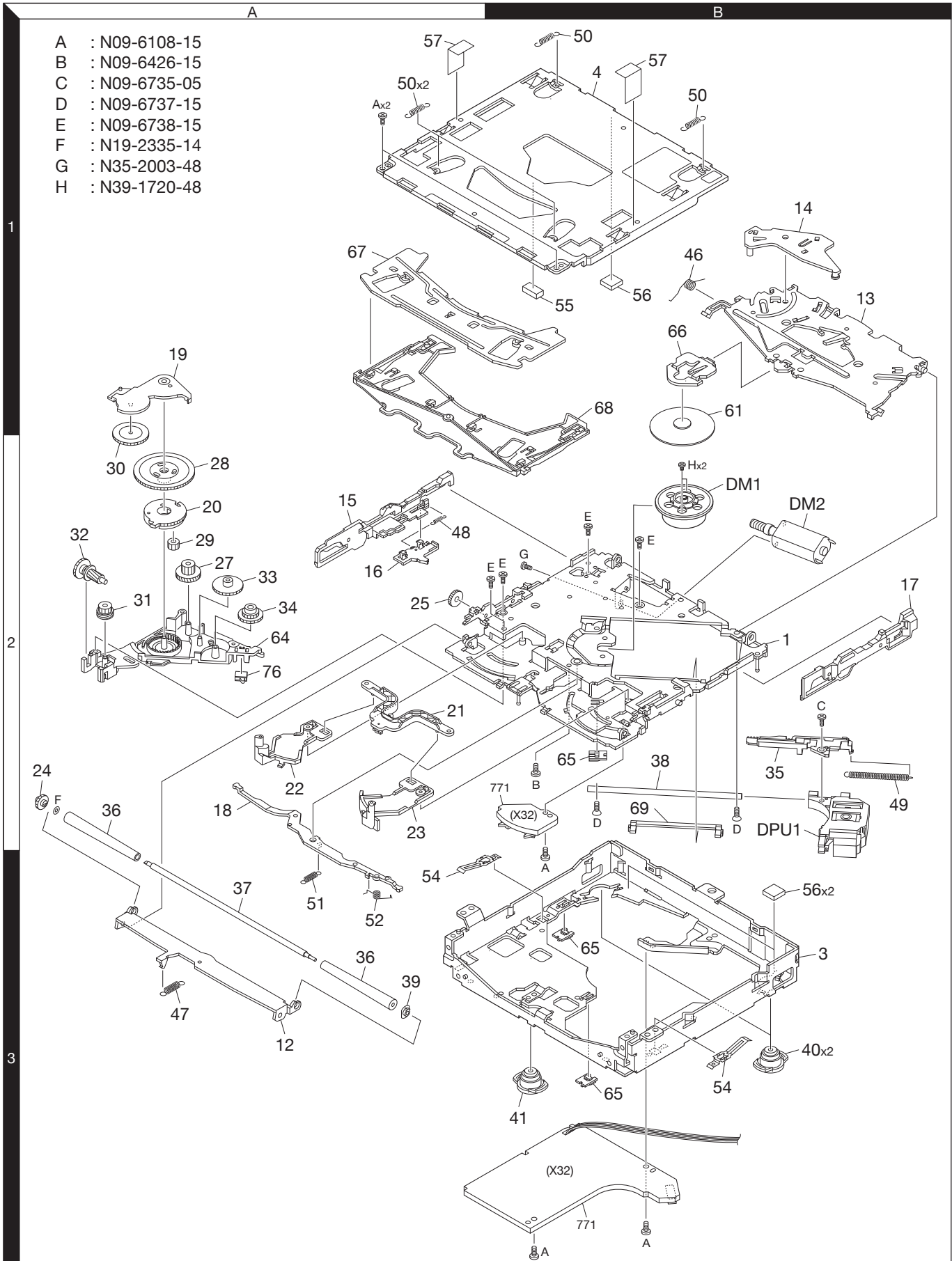


CAUTION : For continued safety, replace safety critical components only with manufacturer's recommended parts (refer to parts list). Δ Indicates safety critical components. To reduce the risk of electric shock, leakage-current or resistance measurements shall be carried out (exposed parts are acceptably insulated from the supply circuit) before the appliance is returned to the customer.

- DC voltages are as measured with a high impedance voltmeter. Values may vary slightly due to variations between individual instruments or/and units.

EXPLODED VIEW (CD MECHANISM)

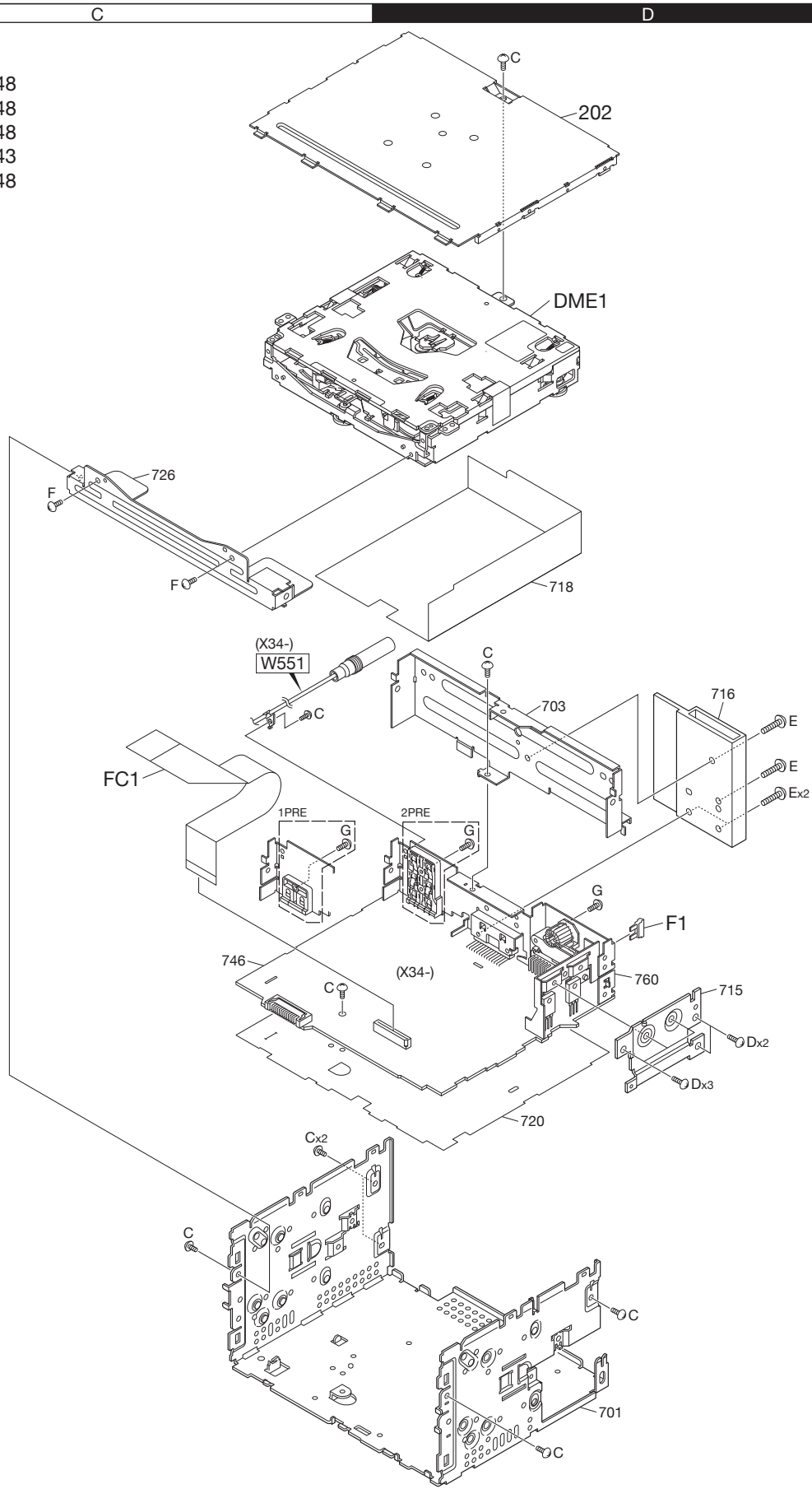
- A : N09-6108-15
- B : N09-6426-15
- C : N09-6735-05
- D : N09-6737-15
- E : N09-6738-15
- F : N19-2335-14
- G : N35-2003-48
- H : N39-1720-48



Parts with the exploded numbers larger than 700 are not supplied.

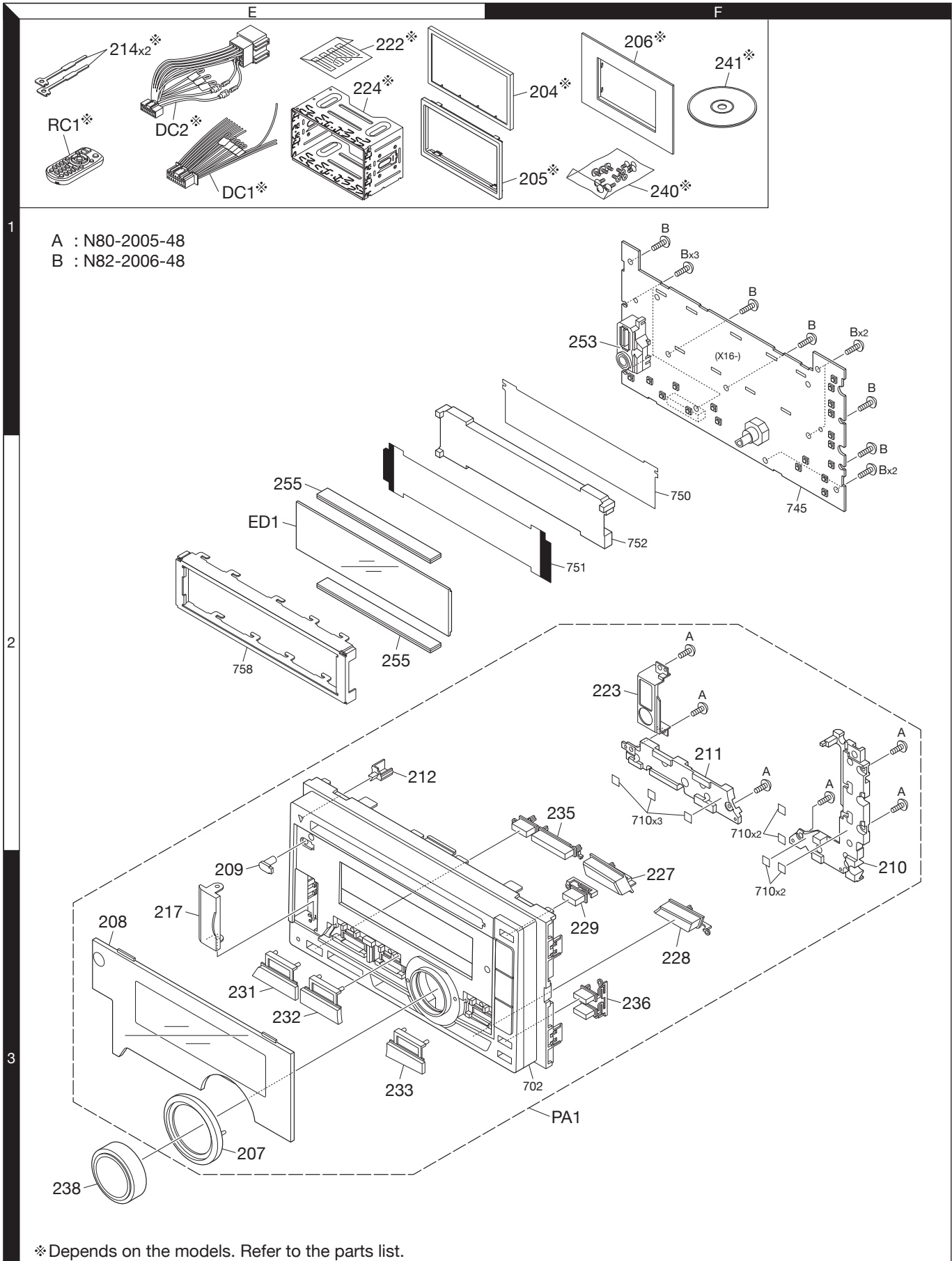
EXPLODED VIEW (UNIT)

- C : N83-3005-48
- D : N83-3008-48
- E : N83-3016-48
- F : N86-2604-43
- G : N80-3008-48



Parts with the exploded numbers larger than 700 are not supplied.

EXPLODED VIEW (PANEL)



Parts with the exploded numbers larger than 700 are not supplied.

PARTS LIST

* New parts

Parts without **Parts No.** are not supplied.

Les articles non mentionnés dans le **Parts No.** ne sont pas fournis.

Teile ohne **Parts No.** werden nicht geliefert.

Ref. No.	Ad	New	Parts No.	Description	Destination
DPX304/308U/404U DPX-MP3120/U5120/U5120S					
202	1D	*	A52-1159-02	TOP PLATE	
PA1	3F	*	A64-5205-41	PANEL ASSY	M1
PA1	3F	*	A64-5206-41	PANEL ASSY	M2
PA1	3F	*	A64-5207-41	PANEL ASSY	M3
PA1	3F	*	A64-5209-41	PANEL ASSY	E2
PA1	3F	*	A64-5210-41	PANEL ASSY	E3
PA1	3F	*	A64-5267-41	PANEL ASSY	K1
RC1	1E		A70-2104-05	REMOTE CONTROLLER ASSY (RC-405)	M1M2K1
RC1	1E		A70-2104-05	REMOTE CONTROLLER ASSY (RC-405)	M3
-		*	B59-2055-00	SUB-INSTRUCTION MAN (EFGDISPRU)	E2E3
-		*	B59-2069-00	SUB-INSTRUCTION MANUAL (EFS)	K1
-		*	B64-4805-00	INSTRUCTION MANUAL (ENG.)	M1M2M3
-		*	B64-4806-00	INSTRUCTION MANUAL (S-CHI.)	M1M2M3
-		*	B64-4807-00	INSTRUCTION MANUAL (ARA.)	M1M2M3
204	1F		B07-3025-02	ESCUTCHEON	M1M2M3
205	1E		B07-3165-02	ESCUTCHEON	K1E2E3
206	1F		B07-3172-12	ESCUTCHEON	K1
207	3E	*	B07-3356-03	ESCUTCHEON (RING)	E2
207	3E	*	B07-3356-03	ESCUTCHEON (RING)	K1M1M2
207	3E	*	B07-3357-03	ESCUTCHEON (RING)	M3E3
208	3E	*	B10-5416-01	FRONT GLASS	M1M2
208	3E	*	B10-5418-01	FRONT GLASS	M3
208	3E	*	B10-5420-01	FRONT GLASS	E2
208	3E	*	B10-5421-01	FRONT GLASS	E3
208	3E	*	B10-5451-01	FRONT GLASS	K1
209	3E	*	B10-5424-04	FRONT GLASS	
210	3F	*	B19-2599-01	LIGHTING BOARD	
211	2F	*	B19-2601-02	LIGHTING BOARD	
212	2E	*	B19-2602-04	LIGHTING BOARD (TRIANGLE)	
214	1E		D10-7012-04	LEVER	K1E2E3
△ DC1	1E		E30-6939-05	DC CORD	M1M2K1
△ DC1	1E		E30-6939-05	DC CORD	M3
△ DC2	1E		E30-6940-05	DC CORD	E2E3
FC1	2C	*	E39-1216-05	FLAT CABLE	
217	3E	*	F07-2241-13	COVER	
△ F1	2D		F52-0023-05	FUSE (MINI BLADE TYPE) 10A	
-		*	H54-5006-03	ITEM CARTON CASE	M1
-		*	H54-5007-03	ITEM CARTON CASE	M2
-		*	H54-5008-03	ITEM CARTON CASE	M3
-		*	H54-5010-03	ITEM CARTON CASE	E2
-		*	H54-5011-03	ITEM CARTON CASE	E3
-		*	H54-5087-03	ITEM CARTON CASE	K1
222	1E		H30-0595-04	ADHESIVE DOUBLE-COATED TAPE	K1
223	2F	*	J19-7328-13	HOLDER	
224	1E		J22-0429-13	MOUNTING HARDWARE ASSY	K1E2E3
227	3F	*	K24-5094-03	PUSH KNOB (B.BOOST)	M2
227	3F	*	K24-5118-03	PUSH KNOB (B.BOOST)	M1E2K1
227	3F	*	K24-5118-03	PUSH KNOB (B.BOOST)	M3E3
228	3F	*	K24-5095-03	PUSH KNOB (BACK)	M1E2K1
228	3F	*	K24-5095-03	PUSH KNOB (BACK)	M3E3

Ref. No.	Ad	New	Parts No.	Description	Destination
228	3F	*	K24-5096-03	PUSH KNOB (BACK)	M2
229	3F	*	K24-5097-03	PUSH KNOB (EJECT)	M1E2K1
229	3F	*	K24-5097-03	PUSH KNOB (EJECT)	M3E3
229	3F	*	K24-5098-03	PUSH KNOB (EJECT)	M2
231	3E	*	K24-5105-03	PUSH KNOB (SRC)	M2M3E3
231	3E	*	K24-5106-03	PUSH KNOB (SRC)	M1E2K1
232	3C	*	K24-5107-03	PUSH KNOB (IPOD)	M2
232	3C	*	K24-5108-03	PUSH KNOB (IPOD)	M1E2K1
232	3C	*	K24-5117-03	PUSH KNOB (PP)	M3E3
233	3C	*	K24-5109-03	PUSH KNOB (SEARCH)	M2M3E3
233	3C	*	K24-5110-03	PUSH KNOB (SEARCH)	M1E2K1
235	3F	*	K25-3109-03	PUSH KNOB (BAND-TRACK)	M1E2K1
235	3F	*	K25-3109-03	PUSH KNOB (BAND-TRACK)	M3E3
235	3F	*	K25-3110-03	PUSH KNOB (BAND-TRACK)	M2
236	3F	*	K25-3111-03	PUSH KNOB (DISP-ATT)	M1E2K1
236	3F	*	K25-3111-03	PUSH KNOB (DISP-ATT)	M3E3
236	3F	*	K25-3112-03	PUSH KNOB (DISP-ATT)	M2
238	3E	*	K28-0447-03	KNOB ASSY (VOL)	E2
238	3E	*	K28-0447-03	KNOB ASSY (VOL)	K1M1M2
238	3E	*	K28-0450-03	KNOB ASSY (VOL)	M3E3
240	1E		N99-1779-15	SCREW SET	M1M2K1
240	1E		N99-1779-15	SCREW SET	M3
A	2F		N80-2005-48	PAN HEAD TAPTITE SCREW	
B	1F		N82-2006-48	BINDING HEAD TAPTITE SCREW	
C	3D		N83-3005-48	PAN HEAD TAPTITE SCREW	
D	3D		N83-3008-48	PAN HEAD TAPTITE SCREW	
E	3D		N83-3016-48	PAN HEAD TAPTITE SCREW	
F	2C		N86-2604-43	BINDING HEAD TAPTITE SCREW	
241	1F	*	W01-1794-05	COMPACT DISC (MANUAL)	E2E3
DME1	1D		X92-6320-00	CD MECHANISM ASSY (DXM-9B10W)	M3E3
DME1	1D		X92-6360-04	CD MECHANISM ASSY (DXM-9B34W)	E2
DME1	1D		X92-6360-04	CD MECHANISM ASSY (DXM-9B34W)	K1M1M2
SWITCH UNIT (X16-7120-2x)					
253	1F	*	B19-2597-02	LIGHTING BOARD (USB)	E2
253	1F	*	B19-2597-02	LIGHTING BOARD (USB)	K1M1M2
253	1F	*	B19-2598-02	LIGHTING BOARD (AUX)	M3E3
D4 -15			NSSM065T-X	LIGHT EMITTING DIODE	
D16 ,17			B30-1784-05	LED (RGB SIDE)	
D18			B30-1566-05	LED (1608,RED)	
ED1	2E	*	B38-1230-05	LCD	
C3			CK73HB0J105K	CHIP C 1.0UF K	
C4			CK73HB1A104K	CHIP C 0.10UF K	
C5			CC73GCH1H102J	CHIP C 1000PF J	
C6 -8			CK73HB1A104K	CHIP C 0.10UF K	
C9			CK73GB1H103K	CHIP C 0.010UF K	
C11			CK73HB1E103K	CHIP C 0.010UF K	
C12			CC73HCH1H101J	CHIP C 100PF J	
C13			CK73FB0J106K	CHIP C 10UF K	E2
C13			CK73FB0J106K	CHIP C 10UF K	K1M1M2
255	2E	*	E29-2066-04	CONDUCTIVE RUBBER	
CN1			E41-3258-05	SOCKET FOR PIN ASSY	
J1			QNZ1057-001	USB CONNECTOR	E2
J1			QNZ1057-001	USB CONNECTOR	K1M1M2

E2: DPX404U **E3:** DPX304 (Europe) **K1:** DPX308U (North America)
M1: DPX-U5120 **M2:** DPX-U5120S **M3:** DPX-MP3120 (Other Areas)

△ Indicates safety critical components.

PARTS LIST

SWITCH UNIT (X16-7120-2x)

Ref. No.	Add	New	Parts No.	Description	Destination
J2			QNS0308-001	DIA 3.5 TYPE JACK	
L1			L92-0616-05	CHIP FERRITE	E2
L1			L92-0616-05	CHIP FERRITE	K1M1M2
CP1 -3			RK74HB1J102J	CHIP-COM 1.0K J 1/16W	
R10			RK73GB2A102J	CHIP R 1.0K J 1/10W	
R16			RK73EB2E821J	CHIP R 820 J 1/4W	
R18 ,19			RK73HB1J101J	CHIP R 100 J 1/16W	
R20			RK73HB1J222J	CHIP R 2.2K J 1/16W	
R21			RK73HB1J102J	CHIP R 1.0K J 1/16W	
R22 ,23			RK73HB1J222J	CHIP R 2.2K J 1/16W	
R27			RK73HB1J103J	CHIP R 10K J 1/16W	
R28			RK73GB2A431J	CHIP R 430 J 1/10W	
R29			RK73EB2E201J	CHIP R 200 J 1/4W	
R30			RK73EB2E391J	CHIP R 390 J 1/4W	
R31			RK73GB2A431J	CHIP R 430 J 1/10W	
R32			RK73EB2E201J	CHIP R 200 J 1/4W	
R33			RK73EB2E391J	CHIP R 390 J 1/4W	
R34 ,35			RK73GB2A431J	CHIP R 430 J 1/10W	
R36 ,37			RK73EB2E201J	CHIP R 200 J 1/4W	
R38 ,39			RK73EB2E391J	CHIP R 390 J 1/4W	
R40			RK73GB2A431J	CHIP R 430 J 1/10W	
R41			RK73EB2E201J	CHIP R 200 J 1/4W	
R42			RK73EB2E391J	CHIP R 390 J 1/4W	
R43			RK73GB2A431J	CHIP R 430 J 1/10W	
R44			RK73EB2E201J	CHIP R 200 J 1/4W	
R45			RK73EB2E391J	CHIP R 390 J 1/4W	
R46			RK73GB2A561J	CHIP R 560 J 1/10W	
R47			RK73EB2E361J	CHIP R 360 J 1/4W	
R48			RK73EB2E181J	CHIP R 180 J 1/4W	
R49 ,50			RK73HB1J330J	CHIP R 33 J 1/16W	E2
R49 ,50			RK73HB1J330J	CHIP R 33 J 1/16W	K1M1M2
R51 ,52			RK73HB1J123J	CHIP R 12K J 1/16W	
R54 ,55			RK73EB2E100J	CHIP R 10 J 1/4W	
R56			RK73EB2E4R7J	CHIP R 4.7 J 1/4W	
R57			RK73HB1J393J	CHIP R 39K J 1/16W	
S2 -19			NSW0326-001X	TACT SWITCH	
S1			T99-0484-05	ROTARY ENCODER	
D1 ,2			LVS10C270S030	VARISTOR	E2
D1 ,2			LVS10C270S030	VARISTOR	K1M1M2
D3			DA204U	DIODE	E2
D3			DA204U	DIODE	K1M1M2
IC1		*	PT6530	MOS-IC	
IC2			PIC95603	ANALOGUE IC	
Q1			RT1N436M-T111	TRANSISTOR	
Q2 ,3			RT1N237M-T111	TRANSISTOR	
Q4			RT1N436M-T111	TRANSISTOR	
Q5 ,6			RT1N237M-T111	TRANSISTOR	
Q7 -9			RT1N436M-T111	TRANSISTOR	
Q10			RT1P141M-T111	TRANSISTOR	
CD PLAYER UNIT (X32-6240-00/6260-01)					
C1			CK73FB0J106K	CHIP C 10UF K	M3E3

Ref. No.	Add	New	Parts No.	Description	Destination
C1 ,2			CK73GB1A105K	CHIP C 1.0UF K	E2
C1 ,2			CK73GB1A105K	CHIP C 1.0UF K	K1M1M2
C3			CC73GCH1H680J	CHIP C 68PF J	M3E3
C3			CK73GB1A474K	CHIP C 0.47UF K	E2
C3			CK73GB1A474K	CHIP C 0.47UF K	K1M1M2
C4			CK73GB1A105K	CHIP C 1.0UF K	M3E3
C4 -7			CK73GB1A105K	CHIP C 1.0UF K	E2
C4 -7			CK73GB1A105K	CHIP C 1.0UF K	K1M1M2
C6			CK73FB1C105K	CHIP C 1.0UF K	M3E3
C8			CK73GB1H222K	CHIP C 2200PF K	M3E3
C9			CK73GB1C104K	CHIP C 0.10UF K	E2
C9			CK73GB1C104K	CHIP C 0.10UF K	K1M1M2
C9 ,10			CK73GB1C104K	CHIP C 0.10UF K	M3E3
C11			CK73GB1H153K	CHIP C 0.015UF K	
C12			CK73GB1C104K	CHIP C 0.10UF K	M3E3
C12			CK73GB1H103K	CHIP C 0.010UF K	E2
C12			CK73GB1H103K	CHIP C 0.010UF K	K1M1M2
C13			CK73GB1H332K	CHIP C 3300PF K	M3E3
C14			CK73GB1H103K	CHIP C 0.010UF K	M3E3
C15			CK73GB1H333K	CHIP C 0.033UF K	M3E3
C16			CK73GB1C104K	CHIP C 0.10UF K	M3E3
C18			CK73GB1H153K	CHIP C 0.015UF K	M3E3
C19			CK73GB1H103K	CHIP C 0.010UF K	M3E3
C20			CK73GB1C104K	CHIP C 0.10UF K	M3E3
C21			CK73GB1H103K	CHIP C 0.010UF K	E2
C21			CK73GB1H103K	CHIP C 0.010UF K	K1M1M2
C22			CC73GCH1H220J	CHIP C 22PF J	E2
C22			CC73GCH1H220J	CHIP C 22PF J	K1M1M2
C22			CK73GB1H103K	CHIP C 0.010UF K	M3E3
C23			CC73GCH1H180J	CHIP C 18PF J	E2
C23			CC73GCH1H180J	CHIP C 18PF J	K1M1M2
C23			CK73GB1H153K	CHIP C 0.015UF K	M3E3
C24			CC73GCH1H470J	CHIP C 47PF J	M3E3
C24 ,25			CK73GB1H103K	CHIP C 0.010UF K	E2
C24 ,25			CK73GB1H103K	CHIP C 0.010UF K	K1M1M2
C25 -27			CK73GB1C104K	CHIP C 0.10UF K	M3E3
C26			CK73FB0J106K	CHIP C 10UF K	E2
C26			CK73FB0J106K	CHIP C 10UF K	K1M1M2
C27			CK73GB1A105K	CHIP C 1.0UF K	E2
C27			CK73GB1A105K	CHIP C 1.0UF K	K1M1M2
C28			CK73GB1H103K	CHIP C 0.010UF K	E2
C28			CK73GB1H103K	CHIP C 0.010UF K	K1M1M2
C29			CK73FB0J106K	CHIP C 10UF K	E2
C29			CK73FB0J106K	CHIP C 10UF K	K1M1M2
C29			CK73GB1A105K	CHIP C 1.0UF K	M3E3
C30			CK73GB1C104K	CHIP C 0.10UF K	M3E3
C30 -33			CK73GB1H103K	CHIP C 0.010UF K	E2
C30 -33			CK73GB1H103K	CHIP C 0.010UF K	K1M1M2
C31 ,32			CK73GB1A105K	CHIP C 1.0UF K	M3E3
C34 ,35			CC73GCH1H150J	CHIP C 15PF J	E2
C34 ,35			CC73GCH1H150J	CHIP C 15PF J	K1M1M2
C36			CK73GB1A105K	CHIP C 1.0UF K	M3E3
C36			CK73GB1H103K	CHIP C 0.010UF K	E2
C36			CK73GB1H103K	CHIP C 0.010UF K	K1M1M2
C37			CK73GB1A105K	CHIP C 1.0UF K	E2

E2: DPX404U E3: DPX304 (Europe) K1: DPX308U (North America)
M1: DPX-U5120 M2: DPX-U5120S M3: DPX-MP3120 (Other Areas)

△ Indicates safety critical components.

PARTS LIST

CD PLAYER UNIT (X32-6240-00/6260-01)

Ref. No.	Add	New	Parts No.	Description	Destination	Ref. No.	Add	New	Parts No.	Description	Destination
C37			CK73GB1A105K	CHIP C 1.0UF K	K1M1M2	C75 -77			CK73GB1C104K	CHIP C 0.10UF K	E2
C38			CK73GB1H103K	CHIP C 0.010UF K	E2	C75 -77			CK73GB1C104K	CHIP C 0.10UF K	K1M1M2
C38			CK73GB1H103K	CHIP C 0.010UF K	K1M1M2	C78			CK73GB1A105K	CHIP C 1.0UF K	E2
C41 ,42			CK73GB1C104K	CHIP C 0.10UF K	M3E3	C78			CK73GB1A105K	CHIP C 1.0UF K	K1M1M2
C43 ,44			CK73GB1H102K	CHIP C 1000PF K	M3E3	C79 -81			CK73GB1C104K	CHIP C 0.10UF K	E2
C45			CK73GB1C104K	CHIP C 0.10UF K	M3E3	C79 -81			CK73GB1C104K	CHIP C 0.10UF K	K1M1M2
C46			CK73GB1A105K	CHIP C 1.0UF K	M3E3	C83			CC73GCH1H470J	CHIP C 47PF J	E2
C47			CC73GCH1H560J	CHIP C 56PF J	M3E3	C83			CC73GCH1H470J	CHIP C 47PF J	K1M1M2
C48			CC73GCH1H101J	CHIP C 100PF J	M3E3	C84			CK73GB1H153K	CHIP C 0.015UF K	E2
C49			CK73GB1A474K	CHIP C 0.47UF K	M3E3	C84			CK73GB1H153K	CHIP C 0.015UF K	K1M1M2
C50			CK73FB1A225K	CHIP C 2.2UF K	M3E3	C85			CK73GB1A105K	CHIP C 1.0UF K	E2
C51			CK73FB0J106K	CHIP C 10UF K	M3E3	C85			CK73GB1A105K	CHIP C 1.0UF K	K1M1M2
C51			CK73GB1C104K	CHIP C 0.10UF K	E2	C86			CK73GB1H103K	CHIP C 0.010UF K	E2
C51			CK73GB1C104K	CHIP C 0.10UF K	K1M1M2	C86			CK73GB1H103K	CHIP C 0.010UF K	K1M1M2
C52			CK73GB1H222K	CHIP C 2200PF K	E2	C92			CK73FB1A225K	CHIP C 2.2UF K	E2
C52			CK73GB1H222K	CHIP C 2200PF K	K1M1M2	C92			CK73FB1A225K	CHIP C 2.2UF K	K1M1M2
C53			CK73FB1C105K	CHIP C 1.0UF K	E2	C93			CC73GCH1H101J	CHIP C 100PF J	E2
C53			CK73FB1C105K	CHIP C 1.0UF K	K1M1M2	C93			CC73GCH1H101J	CHIP C 100PF J	K1M1M2
C54			CK73FB0J106K	CHIP C 10UF K	M3E3	C94			CC73GCH1H560J	CHIP C 56PF J	E2
C54			CK73GB1H103K	CHIP C 0.010UF K	E2	C94			CC73GCH1H560J	CHIP C 56PF J	K1M1M2
C54			CK73GB1H103K	CHIP C 0.010UF K	K1M1M2	C101,102			CK73GB1H103K	CHIP C 0.010UF K	E2
C55			CK73GB1H332K	CHIP C 3300PF K	E2	C101,102			CK73GB1H103K	CHIP C 0.010UF K	K1M1M2
C55			CK73GB1H332K	CHIP C 3300PF K	K1M1M2	C113			CK73GB1C104K	CHIP C 0.10UF K	E2
C56			CK73GB1C104K	CHIP C 0.10UF K	E2	C113			CK73GB1C104K	CHIP C 0.10UF K	K1M1M2
C56			CK73GB1C104K	CHIP C 0.10UF K	K1M1M2	CN1			E41-2954-05	FLAT CABLE CONNECTOR	
C57			CK73GB1C104K	CHIP C 0.10UF K	M3E3	CN2			E41-2083-15	FLAT CABLE CONNECTOR	
C57			CK73GB1H153K	CHIP C 0.015UF K	E2	X1			L77-2964-05	CRYSTAL RESONATOR (9.00MHZ)	E2
C57			CK73GB1H153K	CHIP C 0.015UF K	K1M1M2	X1			L77-2964-05	CRYSTAL RESONATOR (9.00MHZ)	K1M1M2
C58			CK73GB1C104K	CHIP C 0.10UF K	E2	X1			L78-1221-05	RESONATOR (16.93MHZ)	M3E3
C58			CK73GB1C104K	CHIP C 0.10UF K	K1M1M2	X2			L77-2921-15	CRYSTAL RESONATOR (32.768KHZ, 1	E2
C59			CC73GCH1H680J	CHIP C 68PF J	E2	X2			L77-2921-15	CRYSTAL RESONATOR (32.768KHZ, 1	K1M1M2
C59			CC73GCH1H680J	CHIP C 68PF J	K1M1M2	X3			L78-1221-05	RESONATOR (16.93MHZ)	E2
C59			CK73GB1H472K	CHIP C 4700PF K	M3E3	X3			L78-1221-05	RESONATOR (16.93MHZ)	K1M1M2
C60			CK73GB1C224K	CHIP C 0.22UF K	M3E3	CP7 -9			RK74GB1J103J	CHIP-COM 10K J 1/16W	M3E3
C61			CK73GB1C104K	CHIP C 0.10UF K	E2	CP10			RK74GA1J101J	CHIP-COM 100 J 1/16W	E2
C62			CK73FB0J106K	CHIP C 10UF K	E2	CP10			RK74GA1J101J	CHIP-COM 100 J 1/16W	K1M1M2
C62			CK73FB0J106K	CHIP C 10UF K	K1M1M2	CP11,12			RK74GB1J101J	CHIP-COM 100 J 1/16W	E2
C63			CK73GB1H333K	CHIP C 0.033UF K	E2	CP11,12			RK74GB1J101J	CHIP-COM 100 J 1/16W	K1M1M2
C63			CK73GB1H333K	CHIP C 0.033UF K	K1M1M2	CP15			RK74GB1J103J	CHIP-COM 10K J 1/16W	E2
C63			CK73GB1H333K	CHIP C 0.033UF K	E2	CP15			RK74GB1J103J	CHIP-COM 10K J 1/16W	K1M1M2
C64			CK73GB1H472K	CHIP C 4700PF K	E2	CP22			RK74GB1J103J	CHIP-COM 10K J 1/16W	E2
C64			CK73GB1H472K	CHIP C 4700PF K	K1M1M2	CP22			RK74GB1J103J	CHIP-COM 10K J 1/16W	K1M1M2
C64			CK73GB1H472K	CHIP C 4700PF K	E2	R1			RK73GB2A560J	CHIP R 56 J 1/10W	M3E3
C65			CK73GB1C104K	CHIP C 0.10UF K	K1M1M2	R1 ,2			RK73EB2E4R7J	CHIP R 4.7 J 1/4W	E2
C65			CK73GB1C104K	CHIP C 0.10UF K	E2	R1 ,2			RK73EB2E4R7J	CHIP R 4.7 J 1/4W	K1M1M2
C66			CK73GB1H153K	CHIP C 0.015UF K	E2	R2			RK73GB2A472J	CHIP R 4.7K J 1/10W	M3E3
C66			CK73GB1H153K	CHIP C 0.015UF K	K1M1M2	R3			RK73GB2A202J	CHIP R 2.0K J 1/10W	E2
C66			CK73GB1H153K	CHIP C 0.015UF K	E2	R3			RK73GB2A202J	CHIP R 2.0K J 1/10W	K1M1M2
C67			CK73GB1H103K	CHIP C 0.010UF K	E2	R3			RK73GB2A4R7J	CHIP R 4.7 J 1/10W	M3E3
C67			CK73GB1H103K	CHIP C 0.010UF K	K1M1M2	R4			RK73GB2A103J	CHIP R 10K J 1/10W	E2
C68			CK73GB1C104K	CHIP C 0.10UF K	E2	R4			RK73GB2A103J	CHIP R 10K J 1/10W	K1M1M2
C68			CK73GB1C104K	CHIP C 0.10UF K	K1M1M2	R4			RK73GB2A104J	CHIP R 100K J 1/10W	M3E3
C69			CK73FB0J106K	CHIP C 10UF K	E2	R5			RK73GB2A225J	CHIP R 2.2M J 1/10W	M3E3
C69			CK73FB0J106K	CHIP C 10UF K	K1M1M2						
C71			CK73FB0J106K	CHIP C 10UF K	E2						
C71			CK73FB0J106K	CHIP C 10UF K	K1M1M2						
C73 ,74			CK73GB1H102K	CHIP C 1000PF K	E2						
C73 ,74			CK73GB1H102K	CHIP C 1000PF K	K1M1M2						

E2: DPX404U E3: DPX304 (Europe) K1: DPX308U (North America)
M1: DPX-U5120 M2: DPX-U5120S M3: DPX-MP3120 (Other Areas)

△ Indicates safety critical components.

PARTS LIST

CD PLAYER UNIT (X32-6240-00/6260-01)

Ref. No.	A d d	N e w	Parts No.	Description	Desti- nation
R6			RK73GB2A102J	CHIP R 1.0K J 1/10W	M3E3
R7			RK73GB2A221J	CHIP R 220 J 1/10W	M3E3
R8			RK73GB2A622J	CHIP R 6.2K J 1/10W	M3E3
R9			RK73GB2A913J	CHIP R 91K J 1/10W	M3E3
R10			RK73GB2A000J	CHIP R 0.0 J 1/10W	E2
R10			RK73GB2A000J	CHIP R 0.0 J 1/10W	K1M1M2
R10			RK73GB2A334J	CHIP R 330K J 1/10W	M3E3
R11			RK73GB2A153J	CHIP R 15K J 1/10W	M3E3
R13			RK73GB2A333J	CHIP R 33K J 1/10W	M3E3
R14			RK73GB2A103J	CHIP R 10K J 1/10W	M3E3
R15			RK73GB2A183J	CHIP R 18K J 1/10W	M3E3
R16			RK73GB2A472J	CHIP R 4.7K J 1/10W	M3E3
R17 ,18			RK73GB2A103J	CHIP R 10K J 1/10W	M3E3
R19			RK73GB2A223J	CHIP R 22K J 1/10W	E2
R19			RK73GB2A223J	CHIP R 22K J 1/10W	K1M1M2
R19 ,20			RK73GB2A472J	CHIP R 4.7K J 1/10W	M3E3
R21			RK73GB2A102J	CHIP R 1.0K J 1/10W	E2
R21			RK73GB2A102J	CHIP R 1.0K J 1/10W	K1M1M2
R21			RK73GB2A103J	CHIP R 10K J 1/10W	M3E3
R23			RK73GB2A223J	CHIP R 22K J 1/10W	E2
R23			RK73GB2A223J	CHIP R 22K J 1/10W	K1M1M2
R24			RK73GB2A101J	CHIP R 100 J 1/10W	E2
R24			RK73GB2A101J	CHIP R 100 J 1/10W	K1M1M2
R25			RK73GB2A103J	CHIP R 10K J 1/10W	M3E3
R25			RK73GB2A104J	CHIP R 100K J 1/10W	E2
R25			RK73GB2A104J	CHIP R 100K J 1/10W	K1M1M2
R26			RK73GB2A2R2J	CHIP R 2.2 J 1/10W	E2
R26			RK73GB2A2R2J	CHIP R 2.2 J 1/10W	K1M1M2
R27			RK73EB2E4R7J	CHIP R 4.7 J 1/4W	M3E3
R27			RK73GB2A101J	CHIP R 100 J 1/10W	E2
R27			RK73GB2A101J	CHIP R 100 J 1/10W	K1M1M2
R28 ,29			RK73GB2A102J	CHIP R 1.0K J 1/10W	E2
R28 ,29			RK73GB2A102J	CHIP R 1.0K J 1/10W	K1M1M2
R29			RK73GB2A472J	CHIP R 4.7K J 1/10W	M3E3
R30			RK73GB2A223J	CHIP R 22K J 1/10W	E2
R30			RK73GB2A223J	CHIP R 22K J 1/10W	K1M1M2
R31			RK73GB2A000J	CHIP R 0.0 J 1/10W	E2
R31			RK73GB2A000J	CHIP R 0.0 J 1/10W	K1M1M2
R33			RK73GB2A223J	CHIP R 22K J 1/10W	E2
R33			RK73GB2A223J	CHIP R 22K J 1/10W	K1M1M2
R36			RK73GB2A102J	CHIP R 1.0K J 1/10W	E2
R36			RK73GB2A102J	CHIP R 1.0K J 1/10W	K1M1M2
R38			RK73GB2A102J	CHIP R 1.0K J 1/10W	E2
R38			RK73GB2A102J	CHIP R 1.0K J 1/10W	K1M1M2
R39			RK73GB2A105J	CHIP R 1.0M J 1/10W	M3E3
R40			RK73GB2A681J	CHIP R 680 J 1/10W	M3E3
R41			RK73GB2A223J	CHIP R 22K J 1/10W	E2
R41			RK73GB2A223J	CHIP R 22K J 1/10W	K1M1M2
R43 ,44			RK73GB2A4R7J	CHIP R 4.7 J 1/10W	M3E3
R44			RK73GB2A223J	CHIP R 22K J 1/10W	E2
R44			RK73GB2A223J	CHIP R 22K J 1/10W	K1M1M2
R45			RK73GB2A101J	CHIP R 100 J 1/10W	E2
R45			RK73GB2A101J	CHIP R 100 J 1/10W	K1M1M2
R47			RK73GB2A000J	CHIP R 0.0 J 1/10W	E2
R47			RK73GB2A000J	CHIP R 0.0 J 1/10W	K1M1M2

Ref. No.	A d d	N e w	Parts No.	Description	Desti- nation
R48			RK73GB2A105J	CHIP R 1.0M J 1/10W	E2
R48			RK73GB2A105J	CHIP R 1.0M J 1/10W	K1M1M2
R49			RK73GB2A102J	CHIP R 1.0K J 1/10W	E2
R49			RK73GB2A102J	CHIP R 1.0K J 1/10W	K1M1M2
R49			RK73GB2A393J	CHIP R 39K J 1/10W	M3E3
R50			RK73GB2A223J	CHIP R 22K J 1/10W	E2
R50			RK73GB2A223J	CHIP R 22K J 1/10W	K1M1M2
R50			RK73GB2A363J	CHIP R 36K J 1/10W	M3E3
R51			RK73GB2A102J	CHIP R 1.0K J 1/10W	E2
R52			RK73GB2A100J	CHIP R 10 J 1/10W	E2
R52			RK73GB2A100J	CHIP R 10 J 1/10W	K1M1M2
R52 -58			RK73GB2A101J	CHIP R 100 J 1/10W	M3E3
R53			RK73GB2A153J	CHIP R 15K J 1/10W	E2
R53			RK73GB2A153J	CHIP R 15K J 1/10W	K1M1M2
R54			RK73GB2A100J	CHIP R 10 J 1/10W	E2
R54			RK73GB2A100J	CHIP R 10 J 1/10W	K1M1M2
R55			RK73GB2A153J	CHIP R 15K J 1/10W	E2
R55			RK73GB2A153J	CHIP R 15K J 1/10W	K1M1M2
R57			RK73GB2A223J	CHIP R 22K J 1/10W	E2
R57			RK73GB2A223J	CHIP R 22K J 1/10W	K1M1M2
R58 ,59			RK73GB2A101J	CHIP R 100 J 1/10W	E2
R58 ,59			RK73GB2A101J	CHIP R 100 J 1/10W	K1M1M2
R59			RK73GB2A204J	CHIP R 200K J 1/10W	M3E3
R63			RK73GB2A223J	CHIP R 22K J 1/10W	E2
R63			RK73GB2A223J	CHIP R 22K J 1/10W	K1M1M2
R64			RK73GB2A223J	CHIP R 22K J 1/10W	M3E3
R65			RK73GB2A333J	CHIP R 33K J 1/10W	M3E3
R65 ,66			RK73GB2A332J	CHIP R 3.3K J 1/10W	E2
R65 ,66			RK73GB2A332J	CHIP R 3.3K J 1/10W	K1M1M2
R67 -69			RK73GB2A101J	CHIP R 100 J 1/10W	E2
R67 -69			RK73GB2A101J	CHIP R 100 J 1/10W	K1M1M2
R70			RK73GB2A223J	CHIP R 22K J 1/10W	E2
R70			RK73GB2A223J	CHIP R 22K J 1/10W	K1M1M2
R81 ,82			RK73GB2A101J	CHIP R 100 J 1/10W	E2
R81 ,82			RK73GB2A101J	CHIP R 100 J 1/10W	K1M1M2
R84			RK73GB2A101J	CHIP R 100 J 1/10W	E2
R84			RK73GB2A101J	CHIP R 100 J 1/10W	K1M1M2
R86			RK73GB2A101J	CHIP R 100 J 1/10W	E2
R86			RK73GB2A101J	CHIP R 100 J 1/10W	K1M1M2
R88			RK73GB2A101J	CHIP R 100 J 1/10W	E2
R88			RK73GB2A101J	CHIP R 100 J 1/10W	K1M1M2
R90 -94			RK73GB2A101J	CHIP R 100 J 1/10W	E2
R90 -94			RK73GB2A101J	CHIP R 100 J 1/10W	K1M1M2
R95 -98			RK73GB2A223J	CHIP R 22K J 1/10W	E2
R95 -98			RK73GB2A223J	CHIP R 22K J 1/10W	K1M1M2
R101			RK73GB2A221J	CHIP R 220 J 1/10W	E2
R101			RK73GB2A221J	CHIP R 220 J 1/10W	K1M1M2
R102			RK73GB2A4R7J	CHIP R 4.7 J 1/10W	E2
R102			RK73GB2A4R7J	CHIP R 4.7 J 1/10W	K1M1M2
R103			RK73GB2A102J	CHIP R 1.0K J 1/10W	E2
R103			RK73GB2A102J	CHIP R 1.0K J 1/10W	K1M1M2
R104			RK73GB2A225J	CHIP R 2.2M J 1/10W	E2
R104			RK73GB2A225J	CHIP R 2.2M J 1/10W	K1M1M2
R105			RK73GB2A104J	CHIP R 100K J 1/10W	E2
R105			RK73GB2A104J	CHIP R 100K J 1/10W	K1M1M2

E2: DPX404U E3: DPX304 (Europe) K1: DPX308U (North America)
M1: DPX-U5120 M2: DPX-U5120S M3: DPX-MP3120 (Other Areas)

△Indicates safety critical components.

PARTS LIST

CD PLAYER UNIT (X32-6240-00/6260-01)

Ref. No.	Add	New	Parts No.	Description	Destination
R106			RK73GB2A472J	CHIP R 4.7K J 1/10W	E2
R106			RK73GB2A472J	CHIP R 4.7K J 1/10W	K1M1M2
R107			RK73GB2A560J	CHIP R 56 J 1/10W	E2
R107			RK73GB2A560J	CHIP R 56 J 1/10W	K1M1M2
R108			RK73GB2A333J	CHIP R 33K J 1/10W	E2
R108			RK73GB2A333J	CHIP R 33K J 1/10W	K1M1M2
R109			RK73GB2A622J	CHIP R 6.2K J 1/10W	E2
R109			RK73GB2A622J	CHIP R 6.2K J 1/10W	K1M1M2
R110			RK73GB2A913J	CHIP R 91K J 1/10W	E2
R110			RK73GB2A913J	CHIP R 91K J 1/10W	K1M1M2
R112,113			RK73GB2A4R7J	CHIP R 4.7 J 1/10W	E2
R112,113			RK73GB2A4R7J	CHIP R 4.7 J 1/10W	K1M1M2
R115			RK73GB2A105J	CHIP R 1.0M J 1/10W	E2
R115			RK73GB2A105J	CHIP R 1.0M J 1/10W	K1M1M2
R116			RK73GB2A681J	CHIP R 680 J 1/10W	E2
R116			RK73GB2A681J	CHIP R 680 J 1/10W	K1M1M2
R117-121			RK73GB2A103J	CHIP R 10K J 1/10W	E2
R117-121			RK73GB2A103J	CHIP R 10K J 1/10W	K1M1M2
R123			RK73GB2A104J	CHIP R 100K J 1/10W	E2
R123			RK73GB2A104J	CHIP R 100K J 1/10W	K1M1M2
R127			RK73GB2A153J	CHIP R 15K J 1/10W	E2
R127			RK73GB2A153J	CHIP R 15K J 1/10W	K1M1M2
R128			RK73GB2A334J	CHIP R 330K J 1/10W	E2
R128			RK73GB2A334J	CHIP R 330K J 1/10W	K1M1M2
R131			RK73GB2A204J	CHIP R 200K J 1/10W	E2
R131			RK73GB2A204J	CHIP R 200K J 1/10W	K1M1M2
R132			RK73GB2A101J	CHIP R 100 J 1/10W	E2
R132			RK73GB2A101J	CHIP R 100 J 1/10W	K1M1M2
R136			RK73GB2A363J	CHIP R 36K J 1/10W	E2
R136			RK73GB2A363J	CHIP R 36K J 1/10W	K1M1M2
R137			RK73GB2A223J	CHIP R 22K J 1/10W	E2
R137			RK73GB2A223J	CHIP R 22K J 1/10W	K1M1M2
R139			RK73GB2A393J	CHIP R 39K J 1/10W	E2
R139			RK73GB2A393J	CHIP R 39K J 1/10W	K1M1M2
R151			RK73GB2A333J	CHIP R 33K J 1/10W	E2
R151			RK73GB2A333J	CHIP R 33K J 1/10W	K1M1M2
R152			RK73GB2A223J	CHIP R 22K J 1/10W	E2
R152			RK73GB2A223J	CHIP R 22K J 1/10W	K1M1M2
R173-178			RK73GB2A2R2J	CHIP R 2.2 J 1/10W	E2
R173-178			RK73GB2A2R2J	CHIP R 2.2 J 1/10W	K1M1M2
R180			RK73GB2A102J	CHIP R 1.0K J 1/10W	E2
R180			RK73GB2A102J	CHIP R 1.0K J 1/10W	K1M1M2
S1 ,2			S68-0924-05	PUSH SWITCH	
D1			DAP202U	DIODE	E2
D1			DAP202U	DIODE	K1M1M2
D1			DA204U	DIODE	M3E3
D2			DAP202U	DIODE	M3E3
D2 ,3			DA204U	DIODE	E2
D2 ,3			DA204U	DIODE	K1M1M2
D3 ,4			DA204U	DIODE	M3E3
IC1			92CD28AFG7EG0	MICROCONTROLLER IC	E2
IC1			92CD28AFG7EG0	MICROCONTROLLER IC	K1M1M2
IC2		*	JCV8023	INTEGRATED CIRCUIT (MOS-IC)	E2

Ref. No.	Add	New	Parts No.	Description	Destination
IC2		*	JCV8023	INTEGRATED CIRCUIT (MOS-IC)	K1M1M2
IC3			BD8222EFV	ANALOGUE IC	
IC4			MFI341S2162	MICROPROCESSOR IC	E2
IC4			MFI341S2162	MICROPROCESSOR IC	K1M1M2
IC4			TC94A92FG-001	MOS-IC	M3E3
IC5			XC6415S001P1	MOS-IC	M3E3
IC5			74AHCT08PW	MOS-IC	E2
IC5			74AHCT08PW	MOS-IC	K1M1M2
IC6			74LVC08APW	MOS-IC	E2
IC6			74LVC08APW	MOS-IC	K1M1M2
IC7			XC6415S001P1	MOS-IC	E2
IC7			XC6415S001P1	MOS-IC	K1M1M2
IC9			XC6219B332MR	ANALOGUE IC	E2
IC9			XC6219B332MR	ANALOGUE IC	K1M1M2
Q1			2SA2188-T1(E)	TRANSISTOR	M3E3
Q3			RUE003N02	FET	E2
Q3			RUE003N02	FET	K1M1M2
Q5			2SA1577	TRANSISTOR	E2
Q5			2SA1577	TRANSISTOR	K1M1M2
Q6			DTC114YUA	DIGITAL TRANSISTOR	E2
Q6			DTC114YUA	DIGITAL TRANSISTOR	K1M1M2
Q7			2SA2188-T1(E)	TRANSISTOR	E2
Q7			2SA2188-T1(E)	TRANSISTOR	K1M1M2
Q9			DTC144EUA	DIGITAL TRANSISTOR	E2
Q9			DTC144EUA	DIGITAL TRANSISTOR	K1M1M2
Q10 -12			UM6K1N	DUAL FET	M3E3
Q13			DTC114YUA	DIGITAL TRANSISTOR	M3E3
Q14			RJU003N03	FET	M3E3
ELECTRIC UNIT (X34-700x-xx)					
C13			CD04AZ1C332M2	ELECTRO 3300UF 16WV	
C20			CD04AR1C221M	ELECTRO 220UF 16WV	
C21			CK73GB1A105K	CHIP C 1.0UF K	
C22			CC73GCH1H470J	CHIP C 47PF J	
C23			CC73GCH1H102J	CHIP C 1000PF J	
C30			CD04AS1C101M	ELECTRO 100UF 16WV	
C31			CK73FB0J106K	CHIP C 10UF K	
C33			C90-6851-05	ELECTRO 220UF 25WV	
C41			CK73GB1C104K	CHIP C 0.10UF K	
C42			CK73GB1A105K	CHIP C 1.0UF K	
C52			CD04AS1C220M	ELECTRO 22UF 16WV	
C54			CK73GB1C104K	CHIP C 0.10UF K	
C71			CK73FB0J106K	CHIP C 10UF K	E2
C71			CK73FB0J106K	CHIP C 10UF K	K1M1M2
C72			CK73GB1C104K	CHIP C 0.10UF K	E2
C72			CK73GB1C104K	CHIP C 0.10UF K	K1M1M2
C73			CK73GB1A474K	CHIP C 0.47UF K	E2
C73			CK73GB1A474K	CHIP C 0.47UF K	K1M1M2
C74			CK73EB1H475K	CHIP C 4.7UF K	E2
C74			CK73EB1H475K	CHIP C 4.7UF K	K1M1M2
C75			CK73GB1H102K	CHIP C 1000PF K	E2
C75			CK73GB1H102K	CHIP C 1000PF K	K1M1M2
C76 ,77			CK73GB1H104K	CHIP C 0.10UF K	E2
C76 ,77			CK73GB1H104K	CHIP C 0.10UF K	K1M1M2
C78			CK73GB1C104K	CHIP C 0.10UF K	E2

E2: DPX404U E3: DPX304 (Europe) K1: DPX308U (North America)
M1: DPX-U5120 M2: DPX-U5120S M3: DPX-MP3120 (Other Areas)

△ Indicates safety critical components.

PARTS LIST

ELECTRIC UNIT (X34-700x-xx)

Ref. No.	Ad	New	Parts No.	Description	Destination	Ref. No.	Ad	New	Parts No.	Description	Destination
C78			CK73GB1C104K	CHIP C 0.10UF K	K1M1M2	C512-514			CK73GB1H103K	CHIP C 0.010UF K	
C79			CC73GCH1H220J	CHIP C 22PF J	E2	C515			CK73GB1H104K	CHIP C 0.10UF K	
C79			CC73GCH1H220J	CHIP C 22PF J	K1M1M2	C516			CK73GB1H103K	CHIP C 0.010UF K	
C81,82			CK73GB1H103K	CHIP C 0.010UF K		C517			CK73GB1H104K	CHIP C 0.10UF K	
C83			CK73GB1A105K	CHIP C 1.0UF K	E2	C518			CK73GB1H102K	CHIP C 1000PF K	
C83			CK73GB1A105K	CHIP C 1.0UF K	K1M1M2	C519			CD04AB1C470M	ELECTRO 47UF 16WV	
C100			CK73GB1H104K	CHIP C 0.10UF K		C520			CK73GB1H104K	CHIP C 0.10UF K	
C101			CK73GB1A105K	CHIP C 1.0UF K		C523			CK73GB1H102K	CHIP C 1000PF K	
C102			CK73FB1A335K	CHIP C 3.3UF K		C524			CK73GB1C224K	CHIP C 0.22UF K	
C121			CK73GB1A105K	CHIP C 1.0UF K		C525			CC73GCH1H270J	CHIP C 27PF J	
C122			CK73GB1H223K	CHIP C 0.022UF K		C527			CC73GCH1H150J	CHIP C 15PF J	
C123			CK73GB1H103K	CHIP C 0.010UF K		C528			CC73GCH1H471J	CHIP C 470PF J	
C143			CK73GB1C104K	CHIP C 0.10UF K	E2	C530			CK73GB1H102K	CHIP C 1000PF K	
C143			CK73GB1C104K	CHIP C 0.10UF K	K1M1M2	C531			CC73GCH1H070D	CHIP C 7.0PF D	
C144			CD04BR1C221M	ELECTRO 220UF 16WV	E2	C532			CC73GCH1H060D	CHIP C 6.0PF D	
C144			CD04BR1C221M	ELECTRO 220UF 16WV	K1M1M2	C533			CC73GCH1H020C	CHIP C 2.0PF C	
C162			CC73GCH1H030C	CHIP C 3.0PF C		C700			CK73FB1C105K	CHIP C 1.0UF K	
C200			CK73FB1C105K	CHIP C 1.0UF K		C702			CD04AS0J470M	ELECTRO 47UF 6.3WV	
C203			CD04BA1C100M	ELECTRO 10UF 16WV		C704			CK73FB1C105K	CHIP C 1.0UF K	
C204			CK73GB1C224K	CHIP C 0.22UF K		C709			CC73GCH1H101J	CHIP C 100PF J	
C205			CK73GB1H103K	CHIP C 0.010UF K		C710			CC73GCH1H470J	CHIP C 47PF J	K1
C206			CK73GB1C224K	CHIP C 0.22UF K		CN160	*		E41-1849-05	FLAT CABLE CONNECTOR	
C211			CK73GB1C224K	CHIP C 0.22UF K		CN700	*		E41-3256-05	PIN ASSY	
C212			CK73GB1H103K	CHIP C 0.010UF K		J3			E58-0991-05	RECTANGULAR RECEPTACLE	
C213			CK73GB1C224K	CHIP C 0.22UF K	△	J401			E63-0973-05	PIN JACK (2PRE)	E2
C215			CK73FB1C105K	CHIP C 1.0UF K		J401			E63-0973-05	PIN JACK (2PRE)	K1M1M2
C217			CK73GB1A105K	CHIP C 1.0UF K		J401			E63-0974-05	PIN JACK (1PRE)	M3E3
C300			CK73GB1C104K	CHIP C 0.10UF K		W551			E30-6438-05	CORD WITH PLUG (ANT)	
C301,302			CC73GCH1H220J	CHIP C 22PF J		F20			F53-0280-05	FUSE (0.63A)	
C304,305			CK73GB1C104K	CHIP C 0.10UF K		F30			F53-0298-05	FUSE (UL,CSA) (0.25A)	
C306,307			CK73GB1H103K	CHIP C 0.010UF K		F50			F53-0298-05	FUSE (UL,CSA) (0.25A)	
C308			CK73GB1C104K	CHIP C 0.10UF K		L1	△		L33-2459-05	CHOKE COIL ASSY	
C312			CK73GB1H103K	CHIP C 0.010UF K		L70			L92-0662-05	CHIP FERRITE	E2
C330-332			CC73GCH1H471J	CHIP C 470PF J		L70			L92-0662-05	CHIP FERRITE	K1M1M2
C333,334			CC73GCH1H330J	CHIP C 33PF J		L71			L33-2462-05	SMALL FIXED INDUCTOR	E2
C400			CD04AB1V100M	ELECTRO 10UF 35WV		L71			L33-2462-05	SMALL FIXED INDUCTOR	K1M1M2
C401,402			CC73GCH1H102J	CHIP C 1000PF J		L72			L92-0655-05	CHIP FERRITE	E2
C403			CD04AB1V100M	ELECTRO 10UF 35WV	M3E3	L72			L92-0655-05	CHIP FERRITE	K1M1M2
C403,404			CD04AB1V100M	ELECTRO 10UF 35WV	E2	L73			L92-0365-05	CHIP FERRITE	E2
C403,404			CD04AB1V100M	ELECTRO 10UF 35WV	K1M1M2	L73			L92-0365-05	CHIP FERRITE	K1M1M2
C403,404			CD04AB1V100M	ELECTRO 10UF 35WV		L420,421			L92-0648-05	CHIP FERRITE	
C405,406			CC73GCH1H102J	CHIP C 1000PF J	E2	L422			L40-4791-58	SMALL FIXED INDUCTOR	
C405,406			CC73GCH1H102J	CHIP C 1000PF J	K1M1M2	L501			L40-4791-58	SMALL FIXED INDUCTOR	
C407			CD04AB1V100M	ELECTRO 10UF 35WV	E2	L502,503			L33-1031-05	SMALL FIXED INDUCTOR	
C407			CD04AB1V100M	ELECTRO 10UF 35WV	K1M1M2	L504			L40-2781-58	SMALL FIXED INDUCTOR (0.27U)	
C420-423			CK73GB1A105K	CHIP C 1.0UF K		L505			L40-4791-58	SMALL FIXED INDUCTOR	
C431			CD04AB1H010M	ELECTRO 1.0UF 50WV		L506			L40-4781-58	SMALL FIXED INDUCTOR	
C432			CK73GB1C104K	CHIP C 0.10UF K		L507			L40-1891-58	SMALL FIXED INDUCTOR (1.8U)	
C433			CD04AB1C470M	ELECTRO 47UF 16WV		L508			L40-4781-58	SMALL FIXED INDUCTOR	
C434,435			CD04AB1HR47M	ELECTRO 0.47UF 50WV		L509			L92-0607-05	CHIP FERRITE	K1
C501			CK73GB1H102K	CHIP C 1000PF K		L509			L92-0609-05	CHIP FERRITE	M1M2E2
C502			CK73GB1A105K	CHIP C 1.0UF K		L509			L92-0609-05	CHIP FERRITE	
C505			CK73GB1C224K	CHIP C 0.22UF K		L509			L92-0609-05	CHIP FERRITE	
C506			CK73GB1H104K	CHIP C 0.10UF K		L509			L92-0609-05	CHIP FERRITE	
C507			CC73GCH1H090D	CHIP C 9.0PF D		L509			L92-0609-05	CHIP FERRITE	M3E3
C509-511			CK73GB1A105K	CHIP C 1.0UF K		L551			QQR1872-001	RF COIL	

E2: DPX404U E3: DPX304 (Europe) K1: DPX308U (North America)
M1: DPX-U5120 M2: DPX-U5120S M3: DPX-MP3120 (Other Areas)

△ Indicates safety critical components.

PARTS LIST

ELECTRIC UNIT (X34-700x-xx)

Ref. No.	Add	New	Parts No.	Description	Destination	Ref. No.	Add	New	Parts No.	Description	Destination
X302			L78-0872-05	RESONATOR (12MHZ)		R88 -90			RK73EB2E102J	CHIP R 1.0K J 1/4W	
X303			L77-2921-15	CRYSTAL RESONATOR (32.768KHZ, 1		R100,101			RK73PB2H561J	CHIP R 560 J 1/2W	
X501			L77-3824-05	CRYSTAL RESONATOR (4.000MHZ)		R102			RK73GB2A223J	CHIP R 22K J 1/10W	
C	2C		N83-3005-48	PAN HEAD TAPTITE SCREW		R103,104			RK73PB2H561J	CHIP R 560 J 1/2W	
G	2D		N80-3008-48	PAN HEAD TAPTITE SCREW		R105			RK73FB2B472J	CHIP R 4.7K J 1/8W	
CP1			RK74HB1J101J	CHIP-COM 100 J 1/16W		R106			RK73GB2A223J	CHIP R 22K J 1/10W	M1M2K1
CP2 ,3			RK74HB1J471J	CHIP-COM 470 J 1/16W		R106			RK73GB2A223J	CHIP R 22K J 1/10W	M3
CP9			RK74HB1J101J	CHIP-COM 100 J 1/16W		R107			RK73GB2A000J	CHIP R 0.0 J 1/10W	E2E3
CP11-13			RK74GA1J101J	CHIP-COM 100 J 1/16W		R108,109			RK73PB2H221J	CHIP R 220 J 1/2W	M1M2K1
CP14			RK74GA1J102J	CHIP-COM 1.0K J 1/16W	M3E3	R108,109			RK73PB2H221J	CHIP R 220 J 1/2W	M3
CP15			RK74HB1J102J	CHIP-COM 1.0K J 1/16W		R110			RK73FB2B472J	CHIP R 4.7K J 1/8W	
R1			RK73EB2E471J	CHIP R 470 J 1/4W		R120,121			RK73GB2A104J	CHIP R 100K J 1/10W	
R2 ,3			RK73EB2E103J	CHIP R 10K J 1/4W		R122			RK73GB2A473J	CHIP R 47K J 1/10W	
R20			RK73GH2A362D	CHIP R 3.6K D 1/10W		R141			RK73GB2A223J	CHIP R 22K J 1/10W	E2
R21			RK73GH2A562D	CHIP R 5.6K D 1/10W		R141			RK73GB2A223J	CHIP R 22K J 1/10W	K1M1M2
R22			RK73GB2A561J	CHIP R 560 J 1/10W		R160-162			RK73GB2A000J	CHIP R 0.0 J 1/10W	M3E3
R23			RK73GB2A201J	CHIP R 200 J 1/10W		R163,164			RK73GB2A000J	CHIP R 0.0 J 1/10W	E2
R24			RK73GB2A432J	CHIP R 4.3K J 1/10W		R163,164			RK73GB2A000J	CHIP R 0.0 J 1/10W	K1M1M2
R25			RK73GB2A152J	CHIP R 1.5K J 1/10W		R165			RK73GB2A100J	CHIP R 10 J 1/10W	
R26			RK73GB2A103J	CHIP R 10K J 1/10W		R200			RK73GB2A473J	CHIP R 47K J 1/10W	
R27			RK73GB2A4R7J	CHIP R 4.7 J 1/10W		R209			RK73GB2A000J	CHIP R 0.0 J 1/10W	
R30			RK73FB2B103J	CHIP R 10K J 1/8W		R211			RK73GB2A100JH	CHIP R 10 J 1/10W	
R31			RK73GB2A223J	CHIP R 22K J 1/10W		R212			RK73GB2A432J	CHIP R 4.3K J 1/10W	
R33			RK73FB2B123J	CHIP R 12K J 1/8W		R213			RK73GB2A331J	CHIP R 330 J 1/10W	
R34 ,35			RK73GB2A221J	CHIP R 220 J 1/10W		R214			RK73GB2A473J	CHIP R 47K J 1/10W	
R36			RK73GB2A000J	CHIP R 0.0 J 1/10W	M3E3	R300			RK73GB2A104J	CHIP R 100K J 1/10W	
R40			RK73GB2A473J	CHIP R 47K J 1/10W		R301			RK73GB2A473J	CHIP R 47K J 1/10W	
R41			RK73FB2B152J	CHIP R 1.5K J 1/8W		R302			RK73GB2A103J	CHIP R 10K J 1/10W	
R42 ,43			RK73GB2A221J	CHIP R 220 J 1/10W		R303			RK73GB2A101J	CHIP R 100 J 1/10W	
R44			RS14KB3DR22J	FL-PROOF RS 0.22 J 2W		R304,305			RK73GB2A472J	CHIP R 4.7K J 1/10W	
R45			RK73GB2A471J	CHIP R 470 J 1/10W		R306			RK73GB2A000J	CHIP R 0.0 J 1/10W	
R46 ,47			RK73GB2A473J	CHIP R 47K J 1/10W		R307			RK73GB2A102J	CHIP R 1.0K J 1/10W	
R48			RK73GB2A104J	CHIP R 100K J 1/10W		R308			RK73GB2A222J	CHIP R 2.2K J 1/10W	
R49			RK73GB2A103J	CHIP R 10K J 1/10W		R309			RK73GB2A104J	CHIP R 100K J 1/10W	
R50			RK73GB2A221J	CHIP R 220 J 1/10W		R316			RK73GB2A223J	CHIP R 22K J 1/10W	K1
R51			RK73GB2A473J	CHIP R 47K J 1/10W		R316			RK73GB2A473J	CHIP R 47K J 1/10W	E2E3
R52			RK73FB2B152J	CHIP R 1.5K J 1/8W		R318			RK73GB2A104J	CHIP R 100K J 1/10W	
R53			RK73GB2A221J	CHIP R 220 J 1/10W		R319			RK73GB2A473J	CHIP R 47K J 1/10W	M1M2K1
R54			RK73GB2A103J	CHIP R 10K J 1/10W		R319			RK73GB2A473J	CHIP R 47K J 1/10W	M3
R71			RK73GH2A823D	CHIP R 82K D 1/10W	E2	R320			RK73GB2A101J	CHIP R 100 J 1/10W	
R71			RK73GH2A823D	CHIP R 82K D 1/10W	K1M1M2	R321,322			RK73GB2A471J	CHIP R 470 J 1/10W	
R72			RK73GH2A133D	CHIP R 13K D 1/10W	E2	R323			RK73GB2A104J	CHIP R 100K J 1/10W	
R72			RK73GH2A133D	CHIP R 13K D 1/10W	K1M1M2	R325			RK73GB2A104J	CHIP R 100K J 1/10W	
R73			RK73GH2A153D	CHIP R 15K D 1/10W	E2	R326			RK73GB2A473J	CHIP R 47K J 1/10W	M3E3
R73			RK73GH2A153D	CHIP R 15K D 1/10W	K1M1M2	R326,327			RK73GB2A473J	CHIP R 47K J 1/10W	E2
R74 -76			RK73GB2A103J	CHIP R 10K J 1/10W	E2	R326,327			RK73GB2A473J	CHIP R 47K J 1/10W	K1M1M2
R74 -76			RK73GB2A103J	CHIP R 10K J 1/10W	K1M1M2	R329			RK73GB2A102J	CHIP R 1.0K J 1/10W	M3E3
R80 ,81			RK73GB2A103J	CHIP R 10K J 1/10W		R330,331			RK73GB2A222J	CHIP R 2.2K J 1/10W	
R82			RK73GB2A183J	CHIP R 18K J 1/10W		R332			RK73GB2A472J	CHIP R 4.7K J 1/10W	E2
R83			RK73GB2A104J	CHIP R 100K J 1/10W		R332			RK73GB2A472J	CHIP R 4.7K J 1/10W	K1M1M2
R84			RK73FB2B203J	CHIP R 20K J 1/8W		R332,333			RK73GB2A472J	CHIP R 4.7K J 1/10W	M3E3
R85			RK73EB2E473J	CHIP R 47K J 1/4W		R334,335			RK73GB2A473J	CHIP R 47K J 1/10W	E2
R86			RK73EB2E683J	CHIP R 68K J 1/4W		R334,335			RK73GB2A473J	CHIP R 47K J 1/10W	K1M1M2
R87			RK73EB2E473J	CHIP R 47K J 1/4W		R335			RK73GB2A473J	CHIP R 47K J 1/10W	M3E3
						R336			RK73GB2A222J	CHIP R 2.2K J 1/10W	

E2: DPX404U E3: DPX304 (Europe) K1: DPX308U (North America)
M1: DPX-U5120 M2: DPX-U5120S M3: DPX-MP3120 (Other Areas)

△ Indicates safety critical components.

PARTS LIST

ELECTRIC UNIT (X34-700x-xx)

Ref. No.	A d d	N e w	Parts No.	Description	Desti- nation
R337			RK73GB2A102J	CHIP R 1.0K J 1/10W	
R338			RK73GB2A473J	CHIP R 47K J 1/10W	
R339			RK73GB2A222J	CHIP R 2.2K J 1/10W	
R340			RK73GB2A101J	CHIP R 100 J 1/10W	
R341			RK73GB2A473J	CHIP R 47K J 1/10W	
R342			RK73GB2A104J	CHIP R 100K J 1/10W	
R344			RK73GB2A101J	CHIP R 100 J 1/10W	
R345,346			RK73GB2A472J	CHIP R 4.7K J 1/10W	
R349			RK73GB2A473J	CHIP R 47K J 1/10W	
R350			RK73GB2A101J	CHIP R 100 J 1/10W	
R351			RK73GB2A473J	CHIP R 47K J 1/10W	M3E3
R400			RK73FB2B101J	CHIP R 100 J 1/8W	
R401			RK73GB2A331J	CHIP R 330 J 1/10W	
R402,403			RK73GB2A223J	CHIP R 22K J 1/10W	
R404			RK73FB2B101J	CHIP R 100 J 1/8W	
R405			RK73GB2A331J	CHIP R 330 J 1/10W	
R406			RK73FB2B101J	CHIP R 100 J 1/8W	E2
R406			RK73FB2B101J	CHIP R 100 J 1/8W	K1M1M2
R407			RK73GB2A331J	CHIP R 330 J 1/10W	E2
R407			RK73GB2A331J	CHIP R 330 J 1/10W	K1M1M2
R408,409			RK73GB2A223J	CHIP R 22K J 1/10W	E2
R408,409			RK73GB2A223J	CHIP R 22K J 1/10W	K1M1M2
R410			RK73FB2B101J	CHIP R 100 J 1/8W	E2
R410			RK73FB2B101J	CHIP R 100 J 1/8W	K1M1M2
R411			RK73GB2A331J	CHIP R 330 J 1/10W	E2
R411			RK73GB2A331J	CHIP R 330 J 1/10W	K1M1M2
R422			RK73GB2A103J	CHIP R 10K J 1/10W	
R505			RK73GB2A472J	CHIP R 4.7K J 1/10W	
R506			RK73EB2E220J	CHIP R 22 J 1/4W	
R507,508			RK73GB2A221J	CHIP R 220 J 1/10W	
R513,514			RK73GB2A684J	CHIP R 680K J 1/10W	
R515,516			RK73GB2A392J	CHIP R 3.9K J 1/10W	
R700			RK73GB2A103J	CHIP R 10K J 1/10W	
R701			RK73GB2A223J	CHIP R 22K J 1/10W	
W202			R92-2053-05	CHIP R 0 OHM J 1/8W	
D1			UDZW6.2(B)	ZENER DIODE	
D2			S2V60-5009F46	DIODE	
D21			1SS355	DIODE	
D22			UDZW5.1(B)	ZENER DIODE	
D30			UDZW5.6(B)	ZENER DIODE	
D31			1SR154-400	DIODE	
D40			UDZW8.2(B)	ZENER DIODE	
D50			1SS355	DIODE	
D51			UDZW10(B)	ZENER DIODE	
D70			CMS14	DIODE	E2
D70			CMS14	DIODE	K1M1M2
D80			UDZW6.2(B)	ZENER DIODE	
D81 ,82			UDZW6.8(B)	ZENER DIODE	
D100			1SS355	DIODE	
D101-104			1SR154-400	DIODE	
D120			UDZW4.7(B)	ZENER DIODE	
D203			DAP202U	DIODE	
D401			DAP202U	DIODE	
D421			DAP202U	DIODE	
D700-702			UDZW6.8(B)	ZENER DIODE	

Ref. No.	A d d	N e w	Parts No.	Description	Desti- nation
IC70			LT3685EMSE	ANALOGUE IC	E2
IC70			LT3685EMSE	ANALOGUE IC	K1M1M2
IC140			BD6538G	MOS-IC	E2
IC140			BD6538G	MOS-IC	K1M1M2
IC200			TB2926HQ	ANALOGUE IC	
IC300			XC6120N362N-G	MOS-IC	
IC301			W05-1738-00	MICROCONTROLLER IC	K1M1M2
IC301			W05-1738-00	MICROCONTROLLER IC	E2
IC301			W05-1739-00	MICROCONTROLLER IC	E3M3
IC302			TC7W02FU-F	MOS-IC	
IC420			E-TDA7718N	ANALOGUE IC	
IC501			TEF6614TV1S3-X	INTEGRATED CIRCUIT (ANALOGUE)	E2E3
IC501			TEF6614TV1S4-X	INTEGRATED CIRCUIT (ANALOGUE)	M1M2K1
IC501			TEF6614TV1S4-X	INTEGRATED CIRCUIT (ANALOGUE)	M3
Q21		*	2SAR533D	TRANSISTOR	
Q22 -24			2SA1576A	TRANSISTOR	
Q25			2SC4081	TRANSISTOR	
Q26			RT1N241M-T111	TRANSISTOR	
Q30			2SA1576A	TRANSISTOR	
Q31			RT1N241M-T111	TRANSISTOR	
Q32			2SC4081	TRANSISTOR	
Q33			KTA1046-P	TRANSISTOR	
Q40			2SC4081	TRANSISTOR	
Q41			KTA1046-P	TRANSISTOR	
Q42			RT1P241M-T111	TRANSISTOR	
Q44 -47			2SC4081	TRANSISTOR	
Q50			2SC4081	TRANSISTOR	
Q51		*	2SAR533D	TRANSISTOR	
Q52			RT1P241M-T111	TRANSISTOR	
Q53			RT1N241M-T111	TRANSISTOR	
Q80 -82			2SC4081	TRANSISTOR	
Q100			RT1N144M-T111	TRANSISTOR	
Q101			RT1P141M-T111	TRANSISTOR	
Q102			2SA1576A	TRANSISTOR	
Q103			2SB1188(Q,R)	TRANSISTOR	E2E3
Q103,104			2SB1188(Q,R)	TRANSISTOR	M1M2K1
Q103,104			2SB1188(Q,R)	TRANSISTOR	M3
Q105			RT1N144M-T111	TRANSISTOR	M1M2K1
Q105			RT1N144M-T111	TRANSISTOR	M3
Q120			RT1N441M-T111	TRANSISTOR	
Q400-403			RT1N430M-T111	TRANSISTOR	E2
Q400-403			RT1N430M-T111	TRANSISTOR	K1M1M2
Q400,401			RT1N430M-T111	TRANSISTOR	M3E3
Q404			RT1P241M-T111	TRANSISTOR	
Q700			RT1N241M-T111	TRANSISTOR	
Q701			2SA1576A	TRANSISTOR	
CD MECHANISM ASSY (X92-6320-00) (DXM-9B10W)					
CD MECHANISM ASSY (X92-6360-04) (DXM-9B34W)					
1		2B	A10-5450-63	CHASSIS ASSY	
3		3B	A10-5452-41	CHASSIS	
4		1B	A10-5453-32	CHASSIS	
12		3A	* D10-4993-62	LEVER	
13		1B	D10-4991-22	ARM	
14		1B	* D10-4992-23	ARM	
15		2A	D10-4994-02	SLIDER	

E2: DPX404U E3: DPX304 (Europe) K1: DPX308U (North America)
M1: DPX-U5120 M2: DPX-U5120S M3: DPX-MP3120 (Other Areas)

△Indicates safety critical components.

PARTS LIST

CD MECHANISM ASSY (X92-6320-00) (DXM-9B10W)
CD MECHANISM ASSY (X92-6360-04) (DXM-9B34W)

Ref. No.	A d d	N e w	Parts No.	Description	Desti- nation	Ref. No.	A d d	N e w	Parts No.	Description	Desti- nation
16	2A		D10-4995-03	SLIDER		DM1	2B		X94-2090-00	SPINDLE MOTOR ASSY	
17	2B		D10-4996-02	SLIDER		DM2	2B		X94-2100-00	FEED MOTOR ASSY (LOAD/SLED)	
18	2A		D10-4997-03	LEVER		DPU1	2B		X93-2280-00	OPTICAL PICKUP ASSY	
19	1A		D10-4998-03	ARM							
20	2A		D10-4999-03	ARM							
21	2A		D10-7001-03	ARM							
22	2A		D10-7002-03	ARM							
23	2A		D10-7003-03	ARM							
24	2A		D13-2445-04	GEAR							
25	2A		D13-2446-04	GEAR							
27	2A		D13-2448-04	GEAR							
28	2A		D13-2449-04	GEAR							
29	2A		D13-2450-04	GEAR							
30	2A		D13-2451-04	GEAR							
31	2A		D13-2452-04	GEAR							
32	2A		D13-2453-04	GEAR							
33	2A		D13-2454-04	GEAR							
34	2A		D13-2455-04	GEAR							
35	2B		D13-2456-03	RACK (GEAR)							
36	2A		D14-1028-04	ROLLER							
37	3A		D21-2507-04	SHAFT							
38	2B		D21-2508-04	SHAFT							
39	3A		D23-0963-04	RETAINER							
40	3B		D39-0277-15	DAMPER							
41	3B		D39-0278-15	DAMPER							
46	1B		G01-4682-34	TORSION COIL SPRING							
47	3A		G01-4756-04	EXTENSION SPRING							
48	2A		G01-4684-04	EXTENSION SPRING							
49	2B		G01-4685-04	EXTENSION SPRING							
50	1B		G01-4686-14	EXTENSION SPRING							
51	3A		G01-4688-14	EXTENSION SPRING							
52	3A		G01-4692-24	TORSION COIL SPRING							
54	3A		G02-1588-04	FLAT SPRING							
55	1B		G13-1297-04	CUSHION (CLAMPER CUSSIO							
56	1B		G13-1299-14	CUSHION (STROKE CUSHION							
57	1A		G16-1715-04	SHEET							
61	1B		J11-0675-03	CLAMPER							
64	2A		J19-7210-21	HOLDER							
65	2B		J19-7225-04	HOLDER							
66	1B		J22-0706-03	MOUNTING HARDWARE							
67	1A		J22-0707-12	MOUNTING HARDWARE							
68	1B		J90-1166-11	GUIDE							
69	2B		J90-1168-03	RAIL							
A	1A		N09-6108-15	TAPTITE SCREW (M2X3.5)							
B	2B		N09-6426-15	MACHINE SCREW (LOAD ARM SCREW							
C	2B		N09-6735-05	TAPTITE SCREW (PICK SCREW)							
D	2B		N09-6737-15	MACHINE SCREW (SHAFT SCREW)							
E	2B		N09-6738-15	TAPTITE SCREW (GEAR SCREW)							
F	2A		N19-2335-14	FLAT WASHER							
G	2B		N35-2003-48	BINDING HEAD MACHINE SCREW							
H	2B		N39-1720-48	PAN HEAD MACHINE SCREW							
76	2A		S68-0921-05	PUSH SWITCH							

E2: DPX404U **E3:** DPX304 (Europe) **K1:** DPX308U (North America)
M1: DPX-U5120 **M2:** DPX-U5120S **M3:** DPX-MP3120 (Other Areas)

△ Indicates safety critical components.

SPECIFICATIONS (DPX304/DPX404U)

FM tuner section

Frequency range (50 kHz space).....	87.5 MHz – 108.0 MHz
Usable sensitivity (S/N = 26dB).....	1 μ V/75 Ω
Quieting Sensitivity (S/N = 46dB).....	2.5 μ V/75 Ω
Frequency response (\pm 3.0 dB).....	30 Hz – 15 kHz
Signal to Noise ratio (MONO).....	63 dB
Stereo separation (1 kHz).....	40 dB

MW tuner section

Frequency range (9 kHz space).....	531 kHz – 1611 kHz
Usable sensitivity (S/N = 20dB).....	36 μ V

LW tuner section

Frequency range	153 kHz – 279 kHz
Usable sensitivity (S/N = 20dB).....	57 μ V

CD player section

Laser diode.....	GaAlAs
Digital filter (D/A).....	8 Times Over Sampling
D/A Converter.....	24 Bit
Spindle speed	500 – 200 rpm (CLV)
Wow & Flutter	Below Measurable Limit
Frequency response (\pm 1 dB).....	10 Hz – 20 kHz
Total harmonic distortion (1 kHz).....	0.008 %
Signal to Noise ratio (1 kHz).....	110 dB
Dynamic range	93 dB
MP3 decode.....	Compliant with MPEG-1/2 Audio Layer-3
WMA decode.....	Compliant with Windows Media Audio
AAC decode	AAC-LC “.m4a” files

USB Interface (DPX404U)

USB Standard	USB1.1/ 2.0 (Full speed)
Maximum Supply current	500 mA
File System	FAT16/ 32
MP3 decode.....	Compliant with MPEG-1/2 Audio Layer-3
WMA decode.....	Compliant with Windows Media Audio
AAC decode	AAC-LC “.m4a” files

Audio section

Maximum output power	50 W x 4
Output power (DIN 45324, +B=14.4V)	30 W x 4
Speaker Impedance	4 – 8 Ω
Tone action	
Bass	100 Hz \pm 8 dB
Middle	1 kHz \pm 8 dB
Treble	12.5 kHz \pm 8 dB
Preout level / Load (CD)	2000 mV/10 k Ω
Preout impedance	\leq 600 Ω

Auxiliary input

Frequency response (\pm 1 dB)	20 Hz – 20 kHz
Input Maximum Voltage.....	1200 mV
Input Impedance	10 k Ω

General

Operating voltage (11 – 16V allowable).....	14.4 V
Maximum Current consumption.....	10 A
Installation Size (W x H x D)	182 x 111 x 158 mm
Weight	1.5 kg

KENWOOD follows a policy of continuous advancements in development. For this reason specifications may be changed without notice.

SPECIFICATIONS (DPX308U)

FM tuner section

Frequency range (200 kHz step) 87.9 MHz – 107.9 MHz
 Usable sensitivity (S/N = 26dB)..... 11.2 dBf (1 μ V/75 Ω)
 Quieting Sensitivity (S/N = 50dB)..... 19.2 dBf (2.5 μ V/75 Ω)
 Frequency response (\pm 3 dB)30 Hz – 15 kHz
 Signal to Noise ratio (MONO)..... 63 dB
 Stereo separation (1 kHz) 40 dB

AM tuner section

Frequency range (10 kHz step)530 kHz – 1700 kHz
 Usable sensitivity (S/N = 20dB)..... 31 dB μ (36 μ V)

CD player section

Laser diode..... GaAlAs
 Digital filter (D/A)..... 8 Times Over Sampling
 D/A Converter..... 24 Bit
 Spindle speed 500 – 200 rpm (CLV)
 Wow & Flutter Below Measurable Limit
 Frequency response (\pm 1 dB)10 Hz – 20 kHz
 Total harmonic distortion (1 kHz)..... 0.008 %
 Signal to Noise ratio (1 kHz) 110 dB
 Dynamic range 93 dB
 MP3 decode..... Compliant with MPEG-1/2 Audio Layer-3
 WMA decode.....Compliant with Windows Media Audio
 AAC decode AAC-LC “.m4a” files

USB Interface

USB StandardUSB1.1/ 2.0 (Full speed)
 Maximum Supply current 500 mA
 File SystemFAT16/ 32
 MP3 decode..... Compliant with MPEG-1/2 Audio Layer-3
 WMA decode.....Compliant with Windows Media Audio
 AAC decode AAC-LC “.m4a” files

Audio section

Maximum output power50 W x 4
 Full Bandwidth Power (at less than 1% THD)22 W x 4
 Speaker Impedance 4 – 8 Ω
 Tone action
 Bass 100 Hz \pm 8 dB
 Middle 1 kHz \pm 8 dB
 Treble 12.5 kHz \pm 8 dB
 Preout level / Load (CD)2000 mV/10 k Ω
 Preout impedance \leq 600 Ω

Auxiliary input

Frequency response (\pm 1 dB)20 Hz – 20 kHz
 Input Maximum Voltage.....1200 mV
 Input Impedance 10 k Ω

General

Operating voltage (11 – 16V allowable).....14.4 V
 Maximum Current consumption.....10 A
 Installation Size (W x H x D) 182 x 111 x 158 mm
 Weight 1.5 kg

KENWOOD follows a policy of continuous advancements in development. For this reason specifications may be changed without notice.

SPECIFICATIONS (DPX-MP3120/U5120/U5120S)

FM tuner section

Frequency range	
200 kHz step	87.9 MHz – 107.9 MHz
50 kHz step	87.5 MHz – 108.0 MHz
Usable sensitivity (S/N = 26dB)	11.2 dBf (1 μ V/75 Ω)
Quieting Sensitivity (S/N = 50dB)	19.2 dBf (2.5 μ V/75 Ω)
Frequency response (\pm 3 dB)	30 Hz – 15 kHz
Signal to Noise ratio (MONO)	63 dB
Stereo separation (1 kHz)	40 dB

AM tuner section

Frequency range	
10 kHz step	530 kHz – 1700 kHz
9 kHz step	531 kHz – 1611 kHz
Usable sensitivity (S/N = 20dB)	31 dB μ (36 μ V)

CD player section

Laser diode	GaAlAs
Digital filter (D/A)	8 Times Over Sampling
D/A Converter	24 Bit
Spindle speed	500 – 200 rpm (CLV)
Wow & Flutter	Below Measurable Limit
Frequency response (\pm 1 dB)	10 Hz – 20 kHz
Total harmonic distortion (1 kHz)	0.008 %
Signal to Noise ratio (1 kHz)	105 dB
Dynamic range	93 dB
MP3 decode	Compliant with MPEG-1/2 Audio Layer-3
WMA decode	Compliant with Windows Media Audio
AAC decode	AAC-LC “.m4a” files

USB Interface (DPX-U5120/U5120S)

USB Standard	USB1.1/ 2.0 (Full speed)
Maximum Supply current	500 mA
File System	FAT16/ 32
MP3 decode	Compliant with MPEG-1/2 Audio Layer-3
WMA decode	Compliant with Windows Media Audio
AAC decode	AAC-LC “.m4a” files

Audio section

Maximum output power	50 W x 4
Full Bandwidth Power (at less than 1% THD)	22 W x 4
Speaker Impedance	4 – 8 Ω
Tone action	
Bass	100 Hz \pm 8 dB
Middle	1 kHz \pm 8 dB
Treble	12.5 kHz \pm 8 dB
Preout level / Load (CD)	2000 mV/10 k Ω
Preout impedance	\leq 600 Ω

Auxiliary input

Frequency response (\pm 1 dB)	20 Hz – 20 kHz
Input Maximum Voltage	1200 mV
Input Impedance	10 k Ω

General

Operating voltage (11 – 16V allowable)	14.4 V
Maximum Current consumption	10 A
Installation Size (W x H x D)	178.0 x 100.0 x 155.0 mm
Weight	1.5 kg

KENWOOD follows a policy of continuous advancements in development. For this reason specifications may be changed without notice.

DANGER:

Please do not look at the laser beam directly during repair or operation check.

